



SUBJECT: BATTERY RELOCATION (P/N 350-700324 & 355-700324)

The existing nickel cadmium battery (15 Ah) is removed from the RH cargo compartment and a high capacity nickel cadmium battery (22 Ah) or a lead-acid battery (28 Ah) is installed in the tail boom. This eliminates or reduces the need for tail boom ballast and increases the usable volume in the RH cargo compartment.

APPLICABILITY:

This Flight Manual Supplement shall be used when the Battery Relocation is installed on the helicopter.

Department of Transport
(Canada) Approved

IMPORTANT NOTE

THE INFORMATION AND DATA CONTAINED IN THIS DOCUMENT SUPERSEDE OR SUPPLEMENTS THAT CONTAINED IN THE BASIC APPROVED FLIGHT MANUAL FOR THE AS 350 & AS 355 HELICOPTER IN THOSE AREAS LISTED HEREIN. FOR LIMITATIONS, PROCEDURES AND PERFORMANCE NOT CONTAINED IN THIS DOCUMENT REFER TO THE APPROVED FLIGHT MANUAL AND OTHER APPLICABLE APPROVED FLIGHT MANUAL SUPPLEMENTS.

SECTIONS 2, 3, 4, AND 5 OF THIS DOCUMENT COMPRISE THE APPROVED FLIGHT MANUAL SUPPLEMENT. COMPLIANCE WITH SECTION 2, LIMITATIONS, IS MANDATORY.

SECTIONS 1 AND 6 ARE UNAPPROVED AND ARE PROVIDED FOR INFORMATION ONLY.



G. David
Senior Engineer, Aircraft Certification
Aircraft Certification (PAI)
Ontario Region

THE INFORMATION CONTAINED IN THIS DOCUMENT SHALL BE TREATED AS THE PROPERTY OF EUROCOPTER CANADA LIMITED (ECL). THE RECIPIENT OF THIS DOCUMENT SHALL NOT DISCLOSE ANY INFORMATION CONTAINED HEREIN TO THIRD PARTIES WITHOUT THE WRITTEN PERMISSION OF ECL, AND SHALL NOT USE OR REPRODUCE THIS DOCUMENT IN WHOLE OR IN PART FOR ANY PURPOSE OTHER THAN ITS ORIGINALLY INTENDED PURPOSE, OR TO EVALUATE ITS CONTENTS.

	NAME AND SIGNATURE	DATE	COMPANY DEPARTMENT
PREPARED BY:	D. Kerr <i>D. Kerr</i>	3 May 2013	ECL ENGINEERING
PREPARED BY:			
CHECKED BY:	G. Krebs <i>G. Krebs</i>	May 7 2013	CHIEF TEST PILOT
CHECKED BY:	C. Timmins <i>C. Timmins</i>	3 rd May 2013	ECL ENGINEERING
APP'D / ACCEPTED (Civil A/W Authority)	G. David <i>G. David</i>	8 May 2013	TCCA
RELEASED BY:	P. Sharpe For <i>C. Timmins</i>	10 th May 2013	ECL ENGINEERING



CONTENTS

SECTION	TITLE	PAGE
1	GENERAL	4
2	LIMITATIONS	7
3	EMERGENCY AND MALFUNCTION PROCEDURES	11
4	NORMAL PROCEDURES	11
5	PERFORMANCE DATA	11
6	MASS AND BALANCE	12

FIGURES

FIGURE	TITLE	PAGE
1	General Layout	4
2	Battery Location	5
3	Placard locations typical for AS 350 Instrument Panel (Lead-Acid Battery only) RH Pilot configuration shown	8
4	Placard locations typical for AS 350 Instrument Panel (RH Pilot configuration shown)	9
5	Placard locations typical for AS 355 Instrument Panel (RH Pilot configuration shown)	10

MAY 08 2013

Transport Canada Approved

1. GENERAL

The existing nickel cadmium battery (15 Ah) is removed from the RH cargo compartment and a high capacity nickel cadmium battery (22 Ah) or a lead-acid battery (28 Ah) is installed in the tail boom. This eliminates or reduces the need for tail boom ballast and increases the usable volume in the RH cargo compartment. The battery is mounted on a removable tray and is accessible through a cutout in the LH side of the tail boom skin between STN's A 1578 and A 2295. The cutout is locally reinforced by the addition of externally mounted sheet metal doublers. The battery can be accessed through a composite door attached to the tail boom with two hinges and secured with two latches. Refer to Figure 1 General Layout.

The nickel cadmium, Saft 2376 battery type comes with a temperature sensor. The lead-acid, Concorde battery, part number RG-390E is a sealed, valve regulated battery without a temperature sensor. Refer to Figure 2 Battery Location.

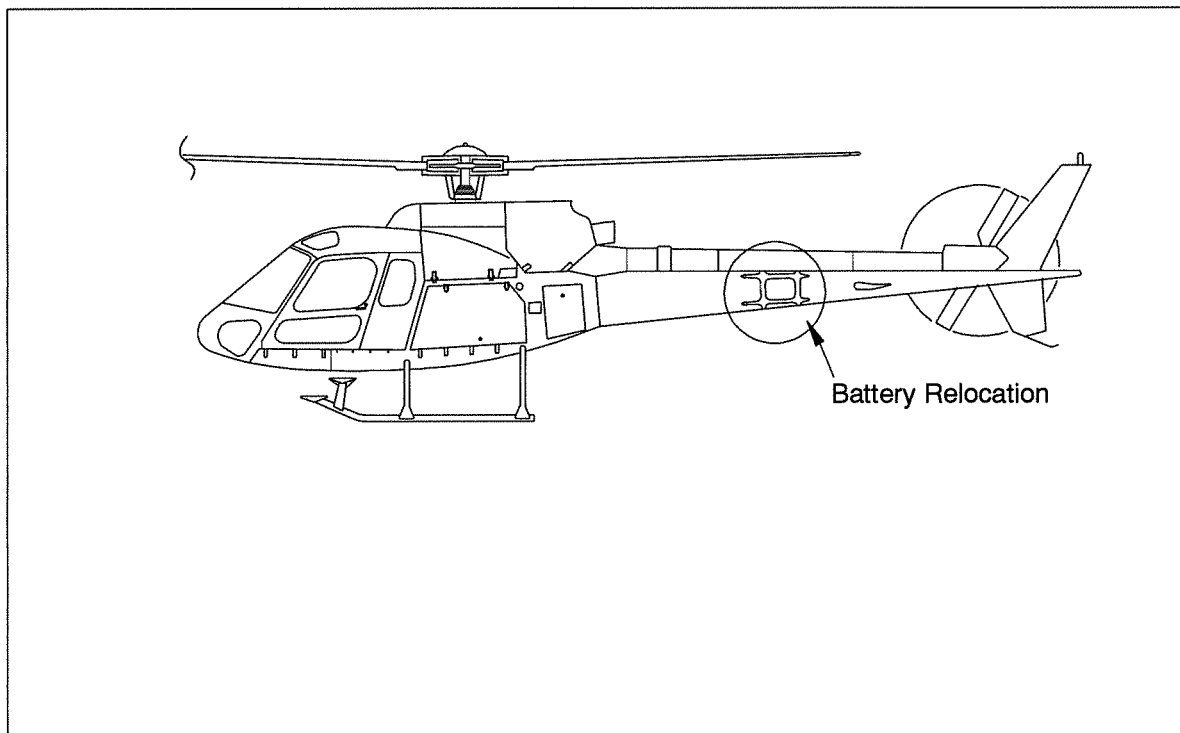


Figure 1 General Layout

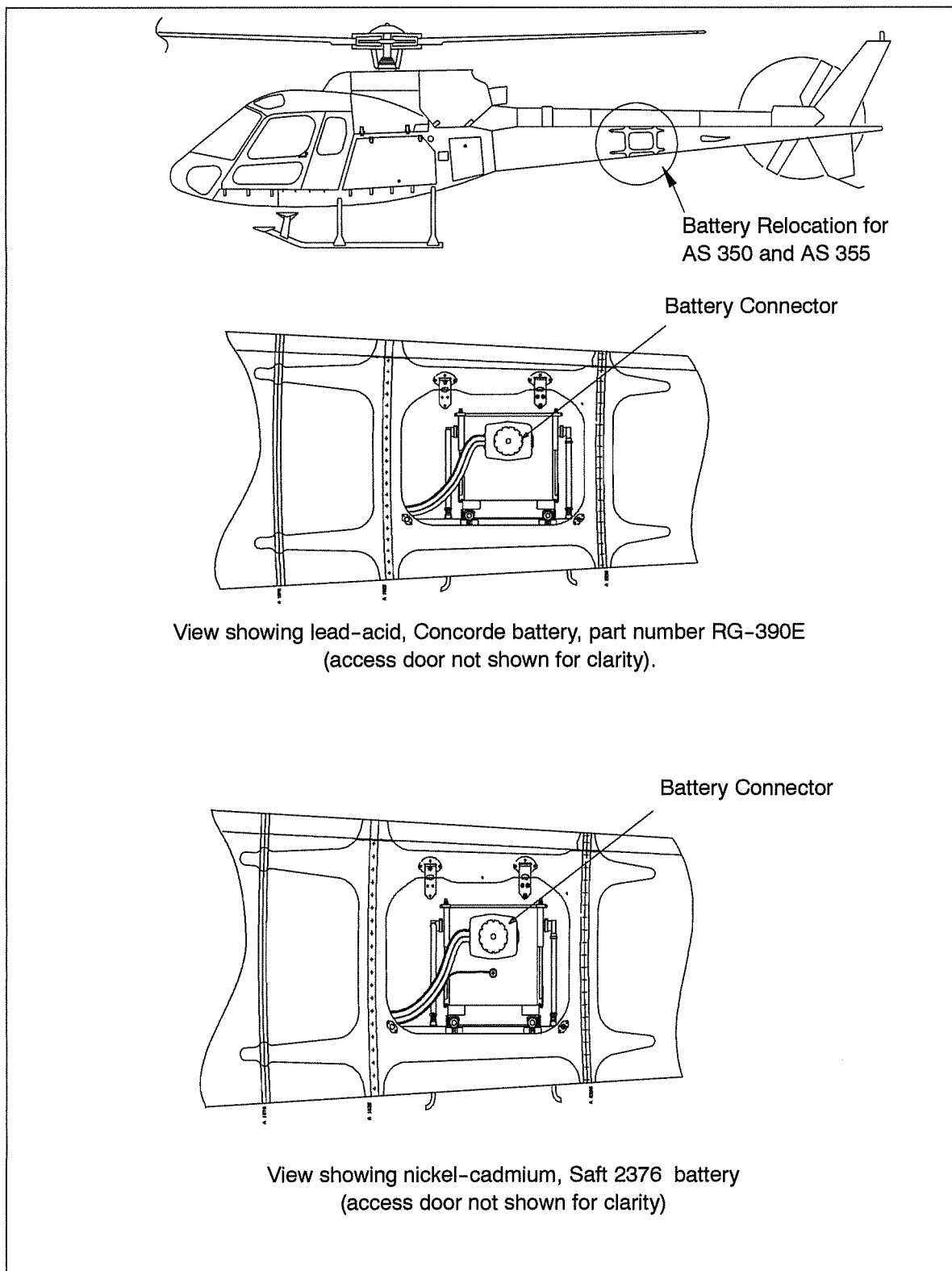


Figure 2 Battery Location

Transport Canada - Unapproved

1. **GENERAL** (continued)

Abbreviations and Definitions

ABBREVIATION	DEFINITION
Ah	Ampere Hour
A/W	Airworthiness
AMM	Aircraft Maintenance Manual
EC	Eurocopter France
ECL	Eurocopter Canada Limited
kg	kilogram
lb.	pound
LH	Left Hand
MDL	Master Drawing List
PAI	Aircraft Certification Division
RH	Right Hand
STC	Supplemental Type Certificate
STN's	Stations
TCCA	Transport Canada Civil Aviation

Transport Canada - Unapproved

2. LIMITATIONS

a. Placards

There are three placards associated with the Battery Relocation.

1) Placard:

THE NICKEL CADMIUM
BATTERY HAS BEEN
REPLACED WITH A
CONCORDE VALVE
REGULATED SEALED
LEAD-ACID BATTERY.
THE BATTERY
TEMPERATURE
MONITORING
SYSTEM HAS BEEN
DEACTIVATED.

Location: Located on the Instrument Panel in view of the pilot, only if Lead-Acid battery is installed.
Refer to Figures 3 & 5 depending on aircraft type.

2) Placard:

THE NICKEL CADMIUM BATTERY HAS BEEN REPLACED WITH A CONCORDE VALVE REGULATED SEALED LEAD-ACID BATTERY. THE BATTERY TEMPERATURE MONITORING SYSTEM HAS BEEN DEACTIVATED.

Location: Located on the Instrument Panel in view of the pilot, only if Lead-Acid battery is installed.
Refer to Figure 3.

3) Placard:

<p>BALLAST IN CABIN IS REQUIRED FOR "PILOT ONLY OPERATION" CHECK WEIGHT AND BALANCE BEFORE FLIGHT</p>	<p>WITH BATTERY RELOCATION (350-700324, 355-700324) INCREASE MAX. LOAD IN RH HOLD BY 20 kg (44 lb)</p>
---	--

Location: Located on the Instrument Panel in view of the pilot.
Refer to Figures 4 & 5 depending on aircraft type.

MAY 08 2013

Transport Canada - Approved

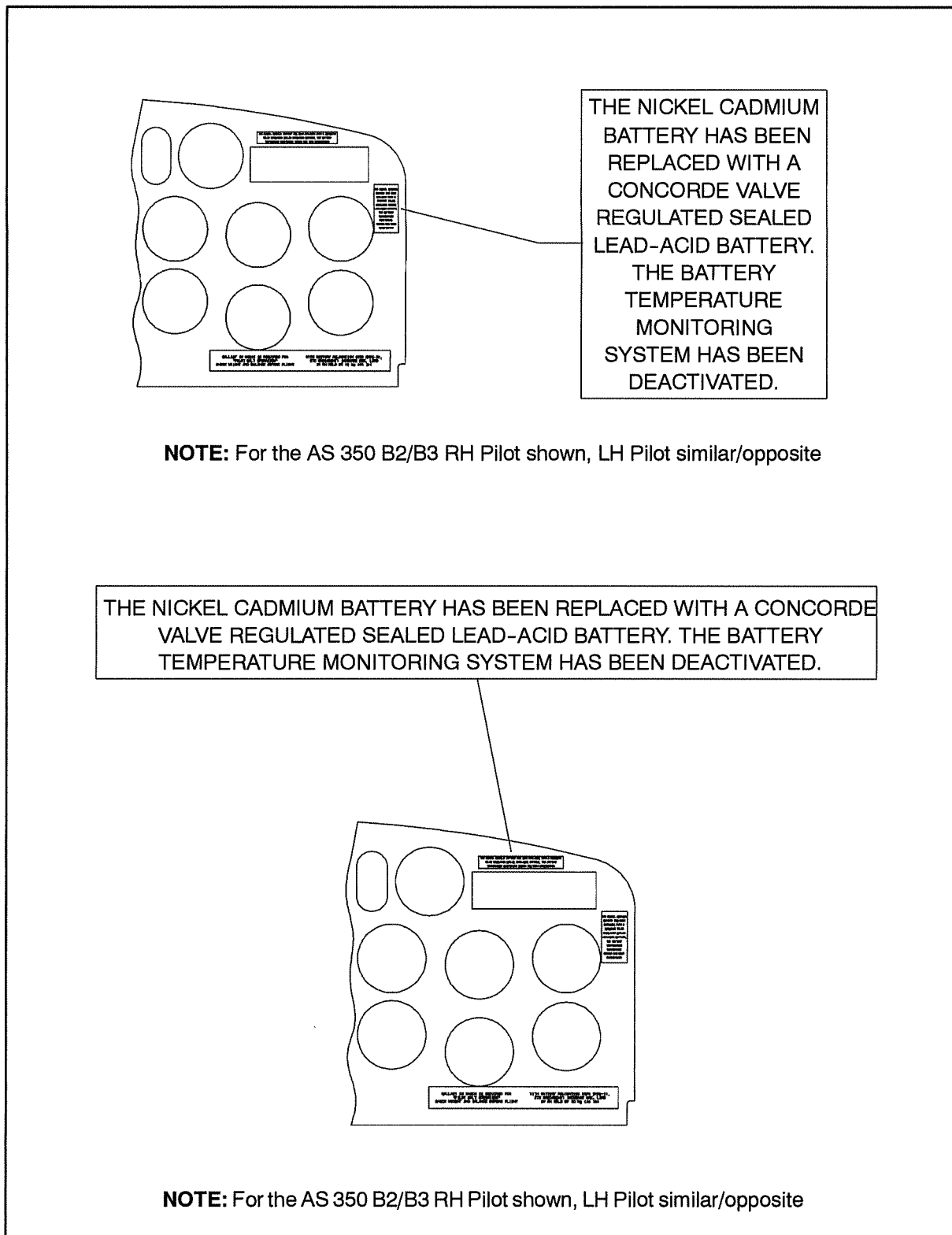


Figure 3 Placard locations typical for AS 350 Instrument Panel (Lead-Acid Battery only) RH Pilot configuration

Transport Canada Approved

MAY 08 2013

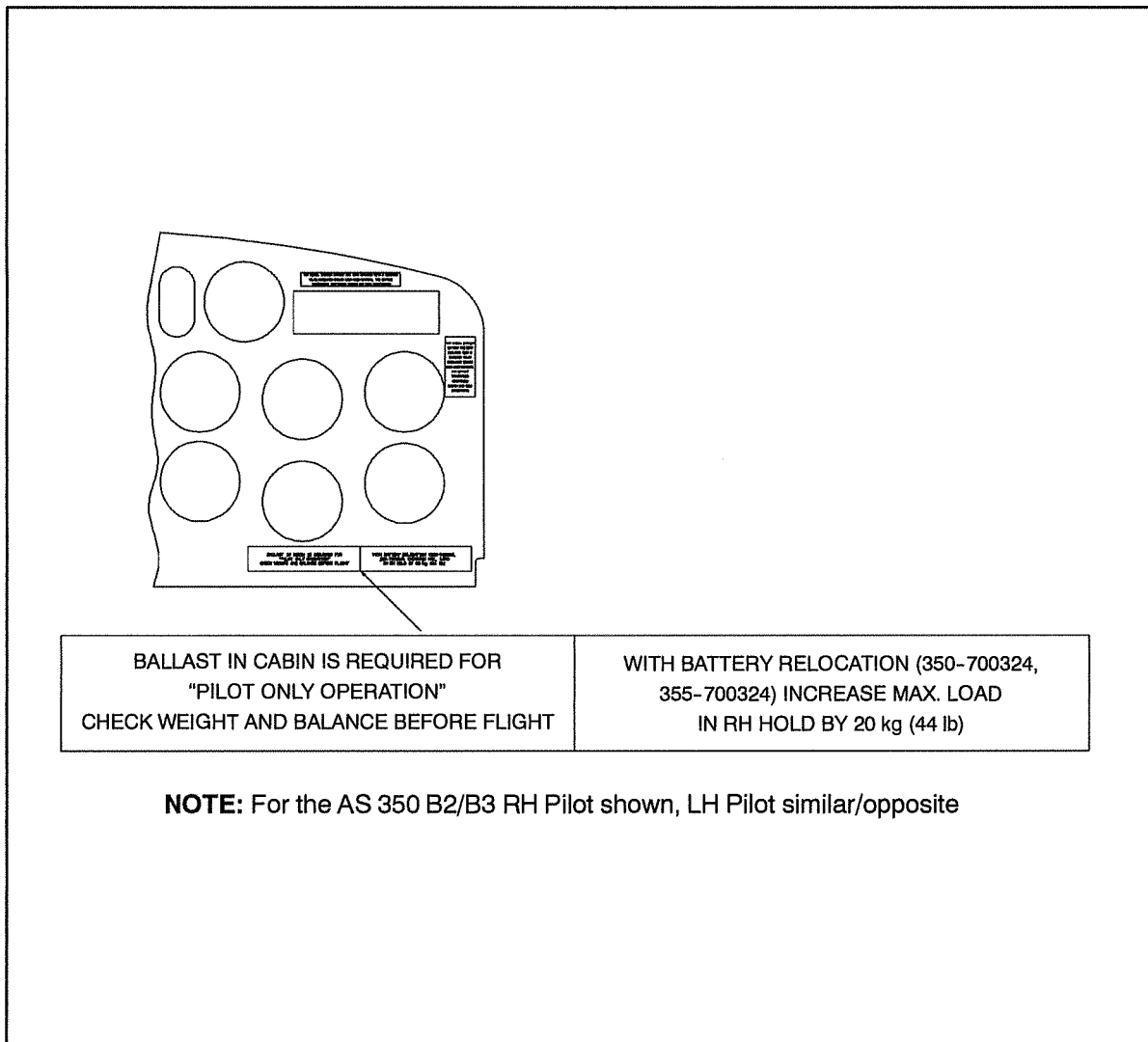


Figure 4 Placard locations typical for AS 350 Instrument Panel (RH Pilot configuration)

MAY 08 2013

Transport Canada Approved

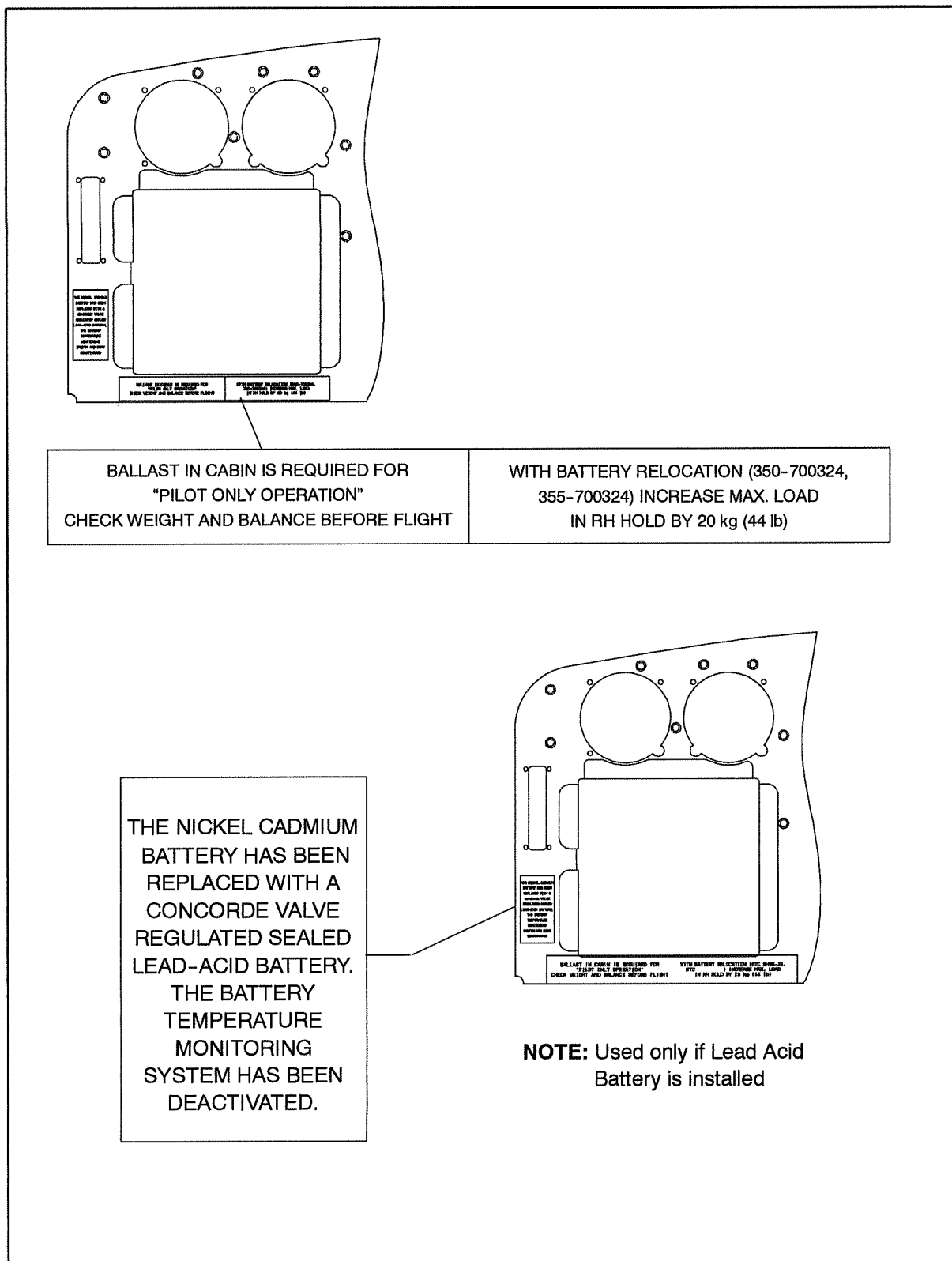


Figure 5 Placard locations typical for AS 355 Instrument Panel

MAY 08 2013

Transport Canada Approved



3. EMERGENCY AND MALFUNCTION PROCEDURES

No change to existing approved Flight Manual.

4. NORMAL PROCEDURES

NOTE Open battery access door.

a. **Before the first flight of each day**

Battery connector (Figure 2) - Secure

5. PERFORMANCE DATA

No change to existing approved Flight Manual.

MAY 08 2013

Transport Canada Approved

6. MASS AND BALANCE (removable items) (unapproved)

Total changes to weight and balance resulting from this modification are covered in the applicable Instructions for Continued Airworthiness.

Items that are removed between routine operations: Not applicable

Transport Canada - Unapproved