

EUROCOPTER CANADA LIMITED

**SUBJECT: LITTER KIT FOR 7 AND 8 PLACE INTERIORS
(P/N'S 130-200034-01 AND 130-200034-02)**

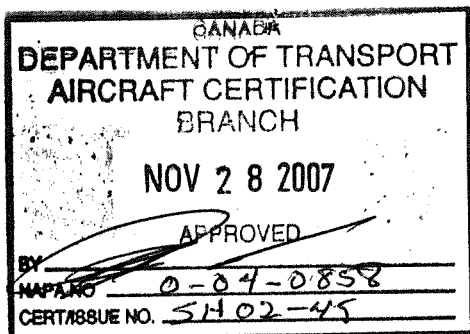
The Litter Installation is designed to carry one stretcher patient on the left-hand side of the cabin floor. The right-hand rear seat is available to carry medical personnel.

APPLICABILITY:

This Flight Manual Supplement shall be used when the Litter Kit for the 7 or 8 Place Interior is installed on the helicopter.

Department of Transport
(Canada) Approved

IMPORTANT NOTE



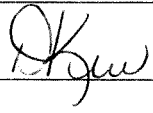



THE INFORMATION AND DATA CONTAINED IN THIS DOCUMENT SUPERSEDE OR SUPPLEMENT THAT CONTAINED IN THE BASIC APPROVED FLIGHT MANUAL FOR THE EC 130 B4 HELICOPTER IN THOSE AREAS LISTED HEREIN. FOR LIMITATIONS, PROCEDURES AND PERFORMANCE NOT CONTAINED IN THIS DOCUMENT REFER TO THE APPROVED FLIGHT MANUAL AND OTHER APPLICABLE APPROVED FLIGHT MANUAL SUPPLEMENT.

James Palmer
Senior Engineer, Aircraft Certification
Aircraft Certification (PAI)
Ontario Region

SECTIONS 2, 3, 4, AND 5 OF THIS DOCUMENT COMPRISE THE APPROVED FLIGHT MANUAL SUPPLEMENT. COMPLIANCE WITH SECTION 2, LIMITATIONS, IS MANDATORY.

SECTIONS 1 AND 6 ARE UNAPPROVED AND ARE PROVIDED FOR INFORMATION ONLY.

THE INFORMATION CONTAINED IN THIS DOCUMENT SHALL BE TREATED AS THE PROPERTY OF EUROCOPTER CANADA LIMITED (ECL). THE RECIPIENT OF THIS DOCUMENT SHALL NOT DISCLOSE ANY INFORMATION CONTAINED HEREIN TO THIRD PARTIES WITHOUT THE WRITTEN PERMISSION OF ECL, AND SHALL NOT USE OR REPRODUCE THIS DOCUMENT IN WHOLE OR IN PART FOR ANY PURPOSE OTHER THAN ITS ORIGINALLY INTENDED PURPOSE, OR TO EVALUATE ITS CONTENTS.

	NAME AND SIGNATURE	DATE	COMPANY DEPARTMENT
PREPARED BY:	D. Kerr 	5 Nov. 107	ECL ENGINEERING
PREPARED BY:			
CHECKED BY:	C. Timmins 	5th November 2007	ECL ENGINEERING
CHECKED BY:			ECL ENGINEERING
APP'D / ACCEPTED (Civil A/W Authority)		TC Approved NOV 28 2007	TCCA
RELEASED BY:	R. Manson 	28 Nov 07	ECL ENGINEERING

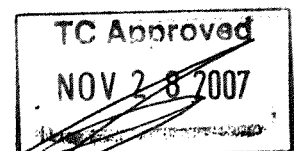
CONTENTS

SECTION	TITLE	PAGE
1	GENERAL	4
2	LIMITATIONS	5
3	EMERGENCY PROCEDURES	6
4	NORMAL PROCEDURES	6
5	PERFORMANCE DATA	7
6	WEIGHT AND BALANCE	8

FIGURES

FIGURE	TITLE	PAGE
1	General Layout	4
2	Litter Kit Installation, Top View	7
3	Litter Kit Installation, Side View	7

Transport Canada Approved



1. GENERAL (UNAPPROVED)

The litter kit is designed to carry one litter with one person. There are two variants of the litter kit. One is compatible with the 7 place configuration and the other is compatible with the 8 place configuration.

Name of Assembly	Part No.
Litter Kit Installation, 7 Place	130-200034-01
Litter Kit Installation, 8 Place	130-200034-02

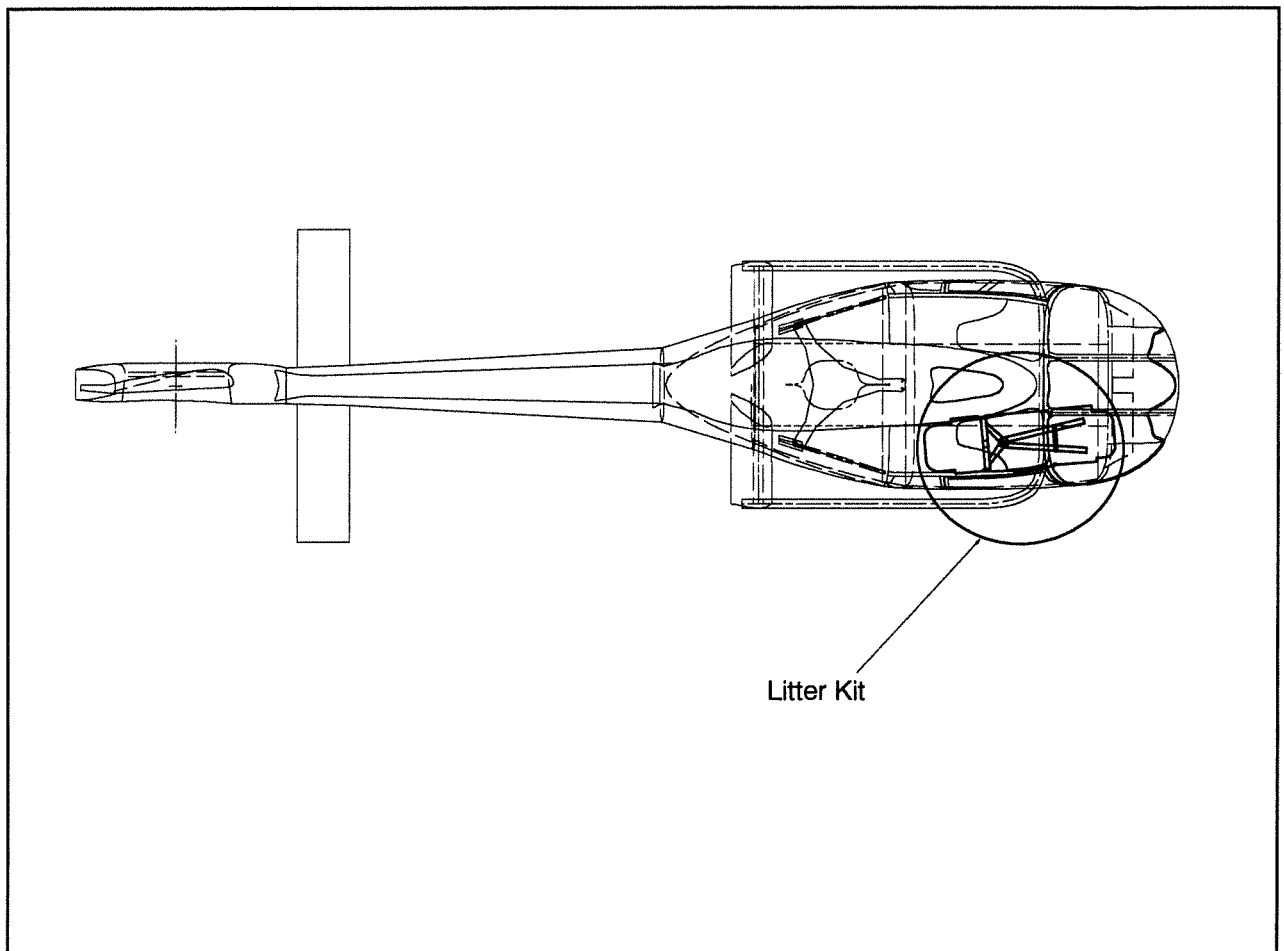
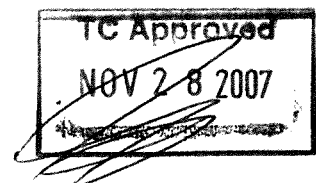


Figure 1 General Layout

Transport Canada Unapproved



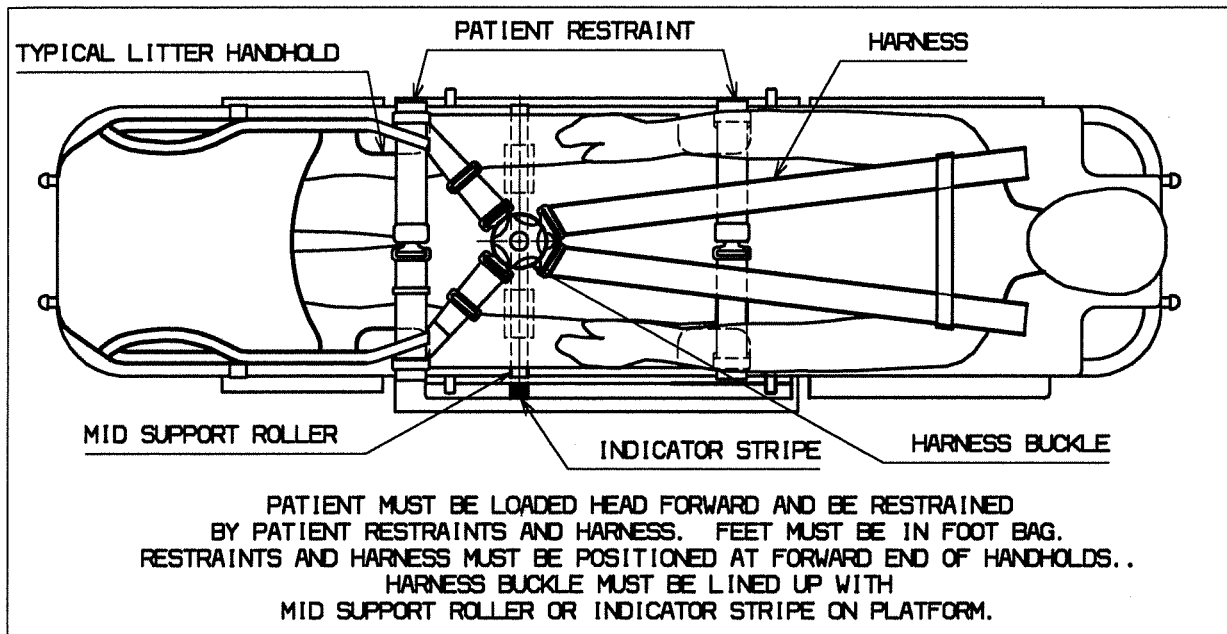
2. LIMITATIONS

Aircraft must be configured with LH side flight controls (in accordance with SB 25-028).

Pilot in command must be in the LH station.

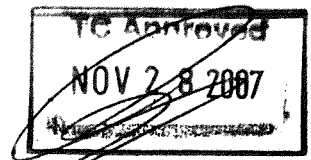
The litter kit installation is not compatible with dual controls.

There is one placard associated with this installation:



Location: RHS of the Instrument Panel Console

Transport Canada Approved



3. EMERGENCY PROCEDURES

No change.

4. NORMAL PROCEDURES

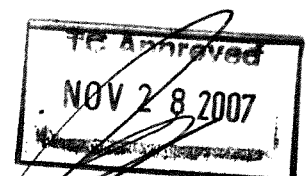
a. Installing the Litter

- Open right side door(s).

NOTE: Patient must be loaded head forward, be restrained by all litter straps (2 lap belts and X-type 4-point harness), and feet must be in the foot bag.

- Load patient and litter, allow the litter to come into contact with the FWD support angle bracket.
- Fit the two inboard lugs on the litter into the holes in the inboard mount brackets on the MID support.
- Place the mount bar on the MID support and fit the outboard lugs of the litter through the two holes.
- Fit the locking bar into the mount bar/MID support and lock the quick release pins in place (two places).
- Align the restraint harness buckle with the MID support roller or indicator stripe.
- Adjust all litter straps tight.
- CHECK patient
 - Must be restrained by all litter straps, litter straps must be tight, harness buckle must be aligned with the MID support roller or the indicator stripe, and feet must be in foot bag.
- CHECK litter
 - Locked and secure

Transport Canada Approved



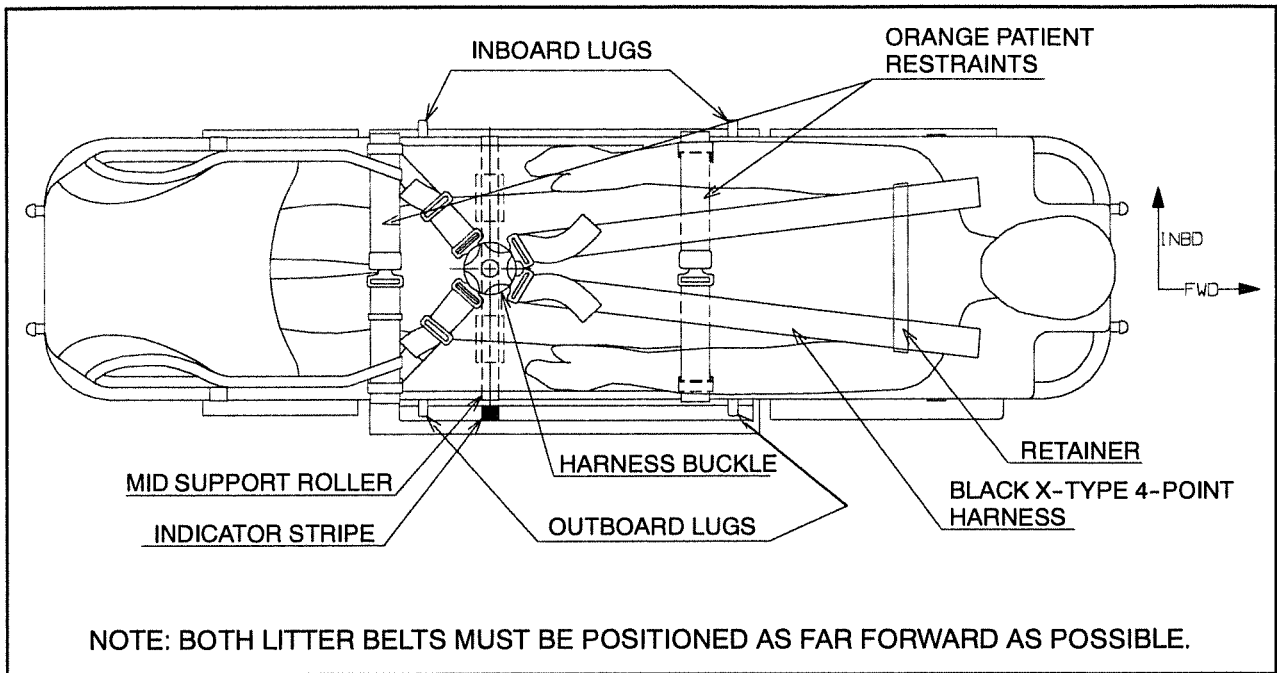


Figure 2 Litter Kit Installation, Top View

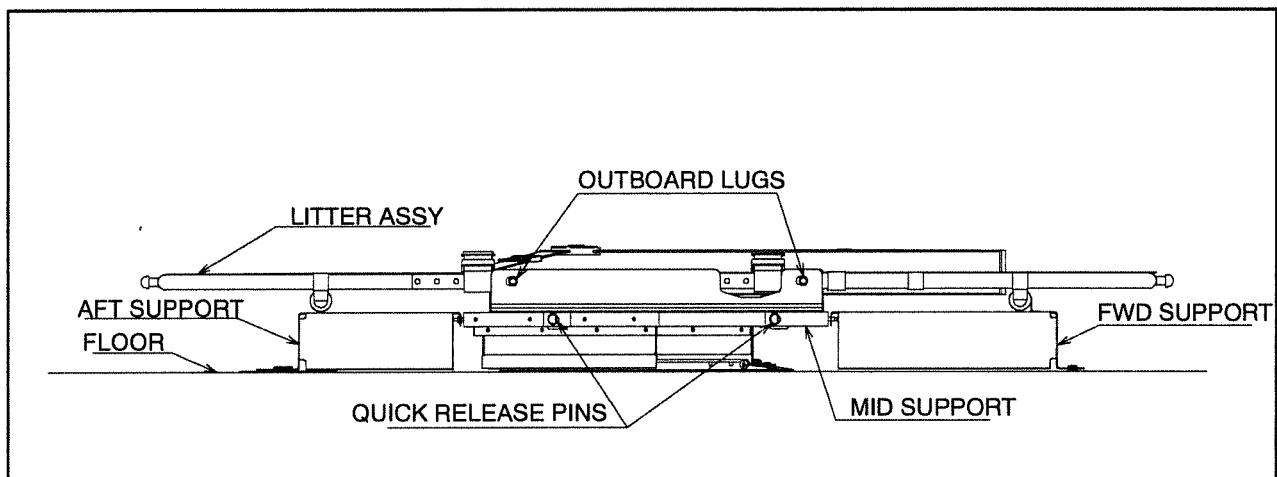


Figure 3 Litter Kit Installation, Side View

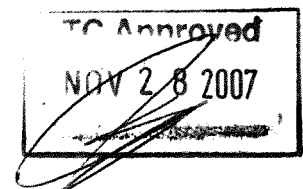
b. Removing the Litter

- Remove in the reverse order of installation.
- Install the mount bar and locking bar on the MID support for storage.

5. PERFORMANCE DATA

No change.

Transport Canada Approved



6. WEIGHT AND BALANCE (Detachable parts) (UNAPPROVED)

DESCRIPTION	WEIGHT		ARM		MOMENT	
	kg	lbs	m	in	kg m	lb in
Litter Kit Installation, 7 Place Interior						
Empty Litter	27.00	59.5	1.56	61.5	42.12	3659.3
Patient	77.11	170.0	1.56	61.5	120.29	10445.0
Seats Removed	-23.06	-50.8	1.96	77.3	-45.22	-3926.8

DESCRIPTION	WEIGHT		ARM		MOMENT	
	kg	lbs	m	in	kg m	lb in
Litter Kit Installation, 8 Place Interior						
Empty Litter	27.00	59.5	1.56	61.5	42.12	3659.3
Patient	77.11	170.0	1.56	61.5	120.29	10455.0
Seats Removed	-35.16	-77.5	1.78	70.1	-62.53	-5432.8

Transport Canada Unapproved

