

EUROCOPTER CANADA LIMITED

SUBJECT: HIGH VISIBILITY DOOR (P/N 350-202014)

The High Visibility Doors comprise extra large Windows on LH and RH FWD and AFT doors, for improved visibility.



THE INFORMATION CONTAINED IN THIS DOCUMENT SHALL BE TREATED AS THE PROPERTY OF EUROCOPTER CANADA LIMITED (ECL). THE RECIPIENT OF THIS DOCUMENT SHALL NOT DISCLOSE ANY INFORMATION CONTAINED HEREIN TO THIRD PARTIES WITHOUT THE WRITTEN PERMISSION OF ECL, AND SHALL NOT USE OR REPRODUCE THIS DOCUMENT IN WHOLE OR IN PART FOR ANY PURPOSE OTHER THAN ITS ORIGINALLY INTENDED PURPOSE, OR TO EVALUATE ITS CONTENTS.

	NAME AND SIGNATURE	DATE	COMPANY DEPARTMENT
PREPARED BY:	D. Kerr <i>D. Kerr</i>	10 Aug. /04	ECL ENGINEERING
PREPARED BY:			
CHECKED BY:	C. Timmins <i>C. Timmins</i>	11 th August 2004	ECL ENGINEERING
CHECKED BY:			
APP'D / ACCEPTED (Civil A/W Authority)	(SEE TCCA STAMP)		TCCA
RELEASED BY:	R. Manson <i>R. Manson</i>	13 Aug '04	ECL ENGINEERING

TABLE OF CONTENTS

CHAPTER	TITLE	PAGE
A	DESCRIPTION	4
B	AIRWORTHINESS LIMITATIONS	4
C	INSPECTION REQUIREMENTS	4
D	OVERHAUL REQUIREMENTS	5
E	REMOVAL	5
F	INSTALLATION	5
G	PLACARDS	5

LIST OF ABBREVIATIONS

ABBREVIATIONS OR SYMBOL	DEFINITION
EC	Eurocopter
ECL	Eurocopter Canada Limited
P/N	Part Number
RH	Right Hand
LH	Left Hand
MM	Maintenance Manual
FWD	Forward
AFT	Aft

TC Accepted
AUG 13 2004

A. DESCRIPTION

1. High Visibility Doors are installed to improve the visibility for helicopter occupants such as tour operators. The High Visibility Doors comprise extra large Windows on LH and RH FWD and AFT doors. The doors are equipped with standard AS 350 door latches, hinges, handles, and hardware and are interchangeable with the standard AS 350 doors. Installation of the High Visibility Doors can be in any combination such as:

- All 4 standard doors replaced.
- Any combination of standard doors being replaced.
- FWD LH and FWD RH doors replaced : Refer to STC SH96-113 and
and both AFT doors removed FMS-ECL-10

2. This Maintenance Manual Supplement covers the required maintenance action for the High Visibility Doors (P/N 350-202014).

B. AIRWORTHINESS LIMITATIONS

There is no airworthiness limitation for this installation.

C. INSPECTION REQUIREMENTS

NO.	INSPECTION OR MAINTENANCE WORK	INTERVAL	REMARKS
1	Visually inspect High Visibility Doors for condition and damage	Every 100 flight hours to coincide with the 100 hrs helicopter inspection	Repair as necessary
2	Visually inspect door hinges and door latching mechanism for correct operation	Every 100 flight hours to coincide with the 100 hrs helicopter inspection	Apply grease (G354 or G361) to hinge pins, reference drawing number 350-202014 for adjusting latching mechanism
3	Perform functional test of the door locking mechanism a. For freedom of movement of the key and/or locking mechanism	Every 100 flight hours to coincide with the 100 hrs helicopter inspection	a. Clean and lubricate with grease (G354 or G361) to restore freedom of movement
4	Visually inspect door jettison mechanism for correct operation	Every 100 flight hours to coincide with the 100 hrs helicopter inspection	Apply grease (G354 or G361) to hinge pins, adjust jettison mechanism accordance with EC, MM, Volume 3, Chapter 52.10.00.501
5	Check that force required for jettison door does not exceed maximum load of 35 kg (77.17 lbs)	Every 100 flight hours to coincide with the 100 hrs helicopter inspection	Adjust jettison mechanism and lubricate using G354 or G361 grease as necessary
6	Visually inspect window seal for proper seating and condition. a. If window seal found too porous	Every 100 flight hours to coincide with the 100 hrs helicopter inspection	Repair as necessary a. Replace window seal in accordance with EC, MM, Volume 3, Chapter 52.00.00.401

Table 1 Inspection Schedule

TC Accepted
AUG 13 2004

D. OVERHAUL REQUIREMENTS

There is no overhaul requirement for this installation.

E. REMOVAL

NOTE : For Removal of the high visibility doors, refer to drawing number 350-202014.

NOTE : For Removal of high visibility windows, refer to AS 350 Maintenance Manual, Volume 3, Chapter 52.00.00.401.

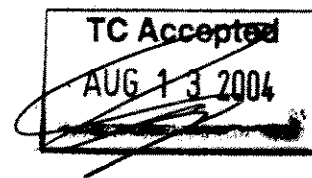
F. INSTALLATION

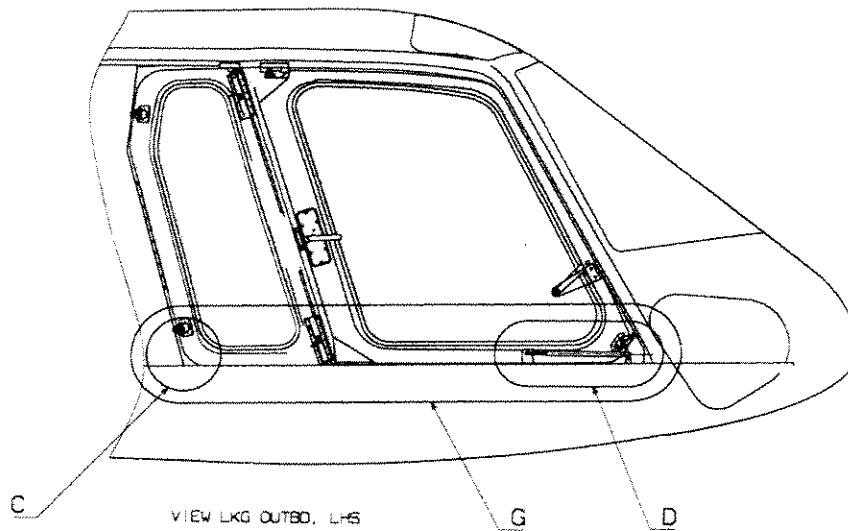
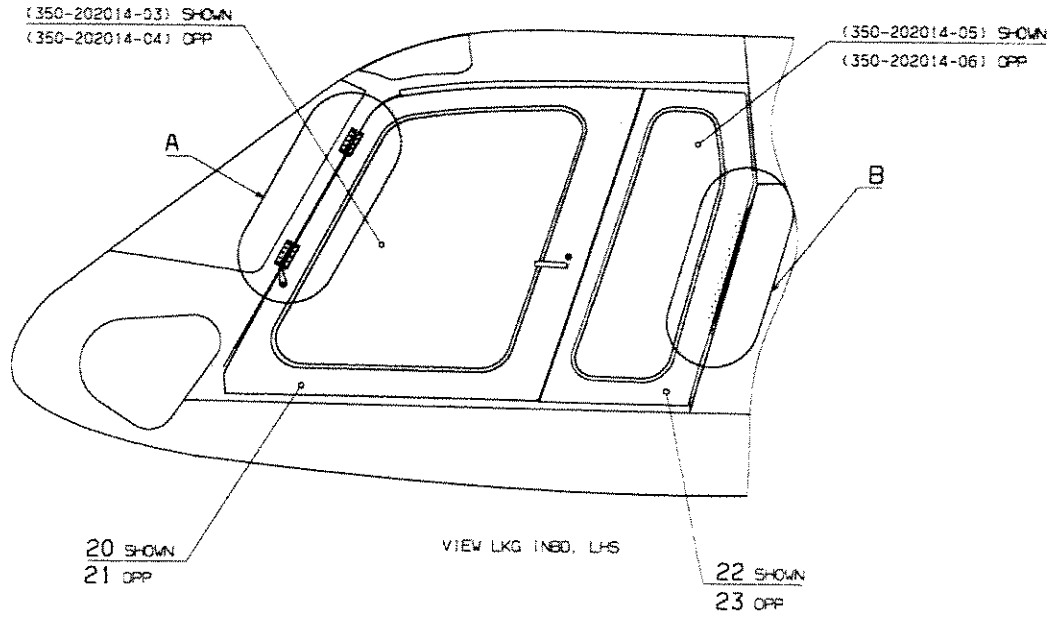
NOTE : For Installation of the high visibility doors, refer to drawing number 350-202014.

NOTE : For Installation of high visibility windows, refer to AS 350 Maintenance Manual, Volume 3, Chapter 52.00.00.401.

G. PLACARDS

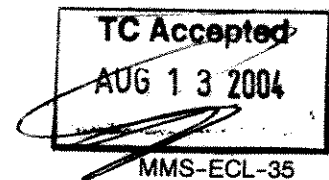
There are no placards required for this installation.





- LEGEND :** 20 LH FWD DOOR ASSEMBLY
 21 RH FWD DOOR ASSEMBLY
 22 LH REAR DOOR
 23 RH REAR DOOR

Figure 1 High Visibility Door Assembly



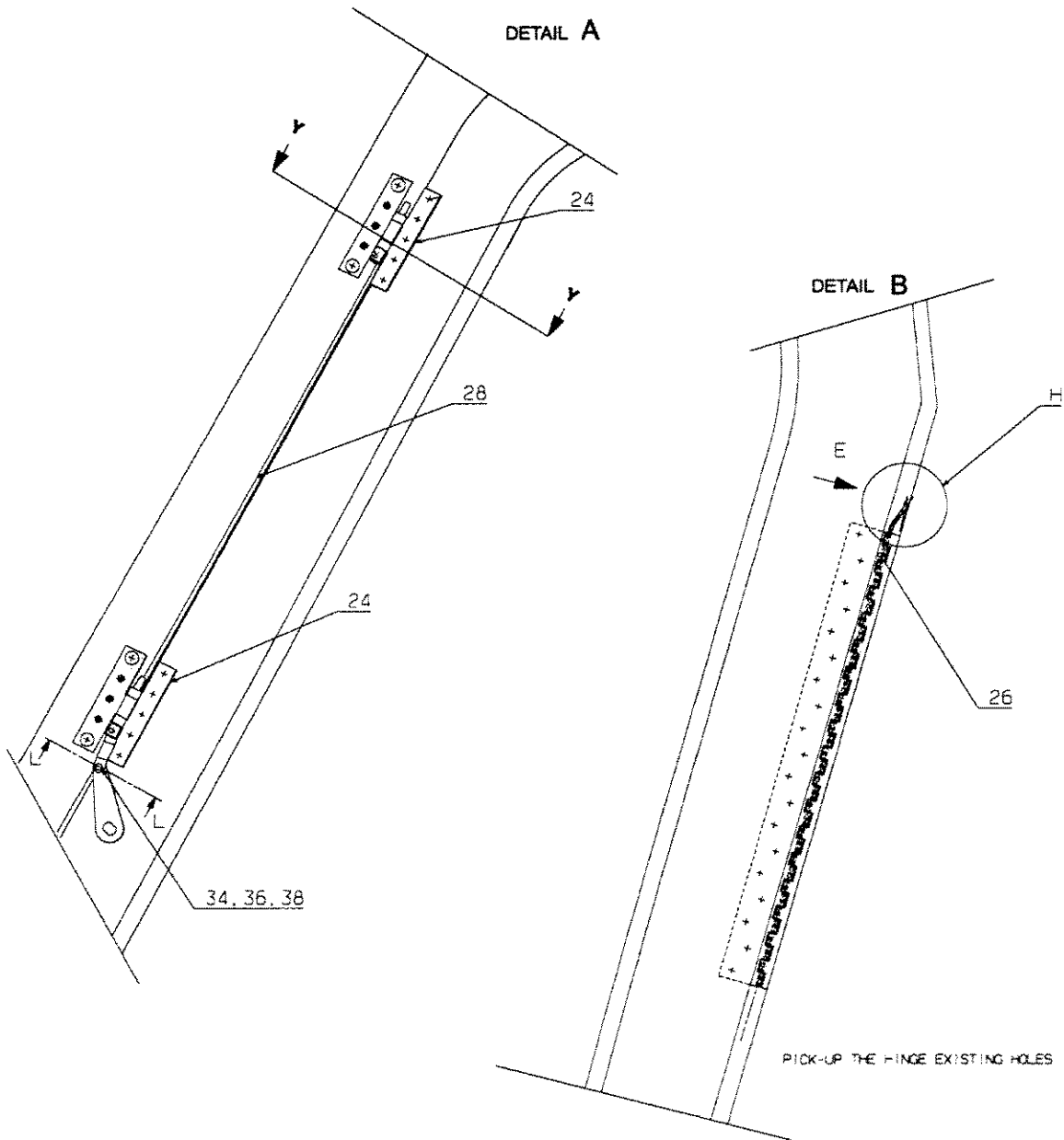
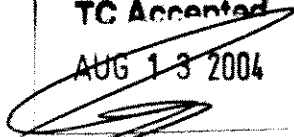
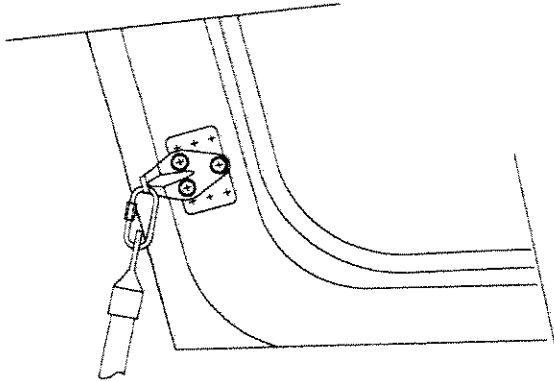


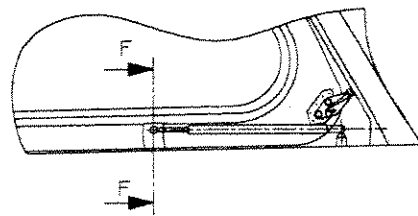
Figure 2 High Visibility Door Assembly- Installation (Sheet 1 of 3)

TC Accepted
AUG 13 2004


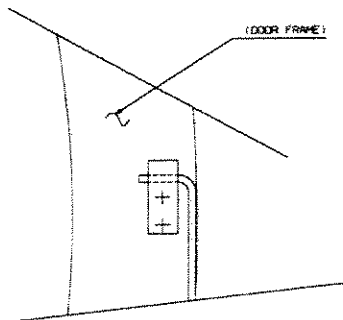
DETAIL C



DETAIL D



VIEW E



SECTION F - F

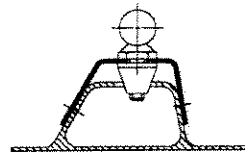
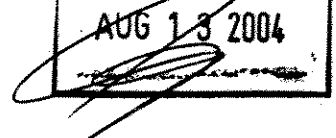


Figure 2 High Visibility Door Assembly- Installation (Sheet 2 of 3)

TC Accepted
AUG 13 2004


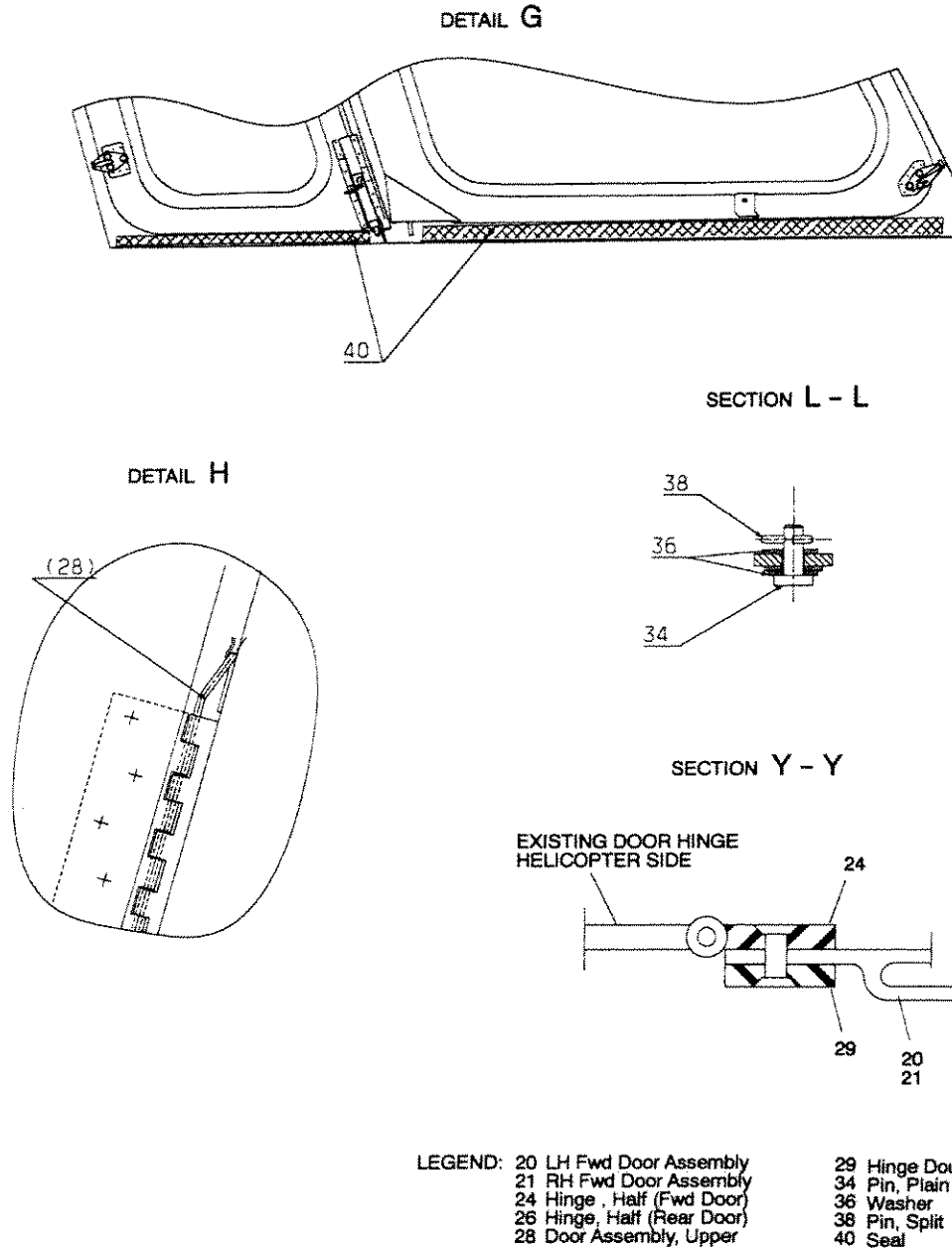


Figure 2 High Visibility Door Assembly- Installation (Sheet 3 of 3)

TC Accepted
AUG 13 2004