



## INSIDE THIS ISSUE:

- Note from the Director** 1
- Return of parts new RMA form** 1
- Old style cyclic installation** 2
- Customer photo submission** 2
- Service Bulletins** 2, 3, 4
- Replacement of AUXITROL Hydraulic Pressure Switch** 3
- Rotor Rewards Draw** 5
- Maintenance training schedule** 6

## Note from the Director



Dear Valued Customer,

Eurocopter fared well this year at the 2011 Paris Air Show, bringing in several orders and agreements throughout the week.

After a four-day industry preview, the Paris Air Show opened its doors to the general public, attracting scores of aircraft enthusiasts of all ages.

Eurocopter also held a day-long celebration to honor the Ecureuil family's nearly four decades of multi-mission operational excellence. The event brought together more than 1,000 invited guests, including a large number of Canadian operators.

A major highlight of the seven-day show was the first-ever public performance of the hybrid helicopter-plane concept X<sup>3</sup>, which created quite the buzz at the show due to its unique concept, fast speeds and glamorous looks.

The EC175 also proved to be a real entertainer with its stunning daily acrobatic shows, creating an electric buzz among the crowds.

With advancement in technology being a running theme throughout the 2011 Paris Airshow it appears to be the opportune time to introduce our new and exciting Eurocopter iPad application.

Now Available in Apple's iTunes App Store, find all of the latest technical information, photos and films on Eurocopter's entire range of helicopter products by downloading the Eurocopter media gallery application for iPads.

The app provides access to; In-

flight helicopter footage, photos, exclusive content and brochures.

You may also download the Eurocopter application for iPads to learn more about Eurocopter's range of products, the Group and its international network, or to follow Eurocopter's latest news.

This app allows you to; read all of the latest news, check out Eurocopter films on You Tube.

For all questions concerning Eurocopter's iPad applications please contact: [contact@eurocopter.com](mailto:contact@eurocopter.com)

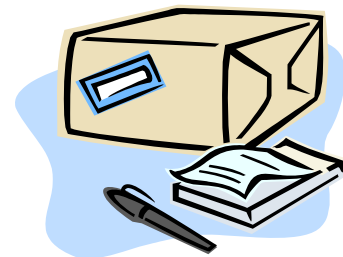
Gordon Kay  
Director, Customer Support

## Return of parts new RMA form

Effective immediately, a Return Material Authorization (RMA) is required prior to shipping parts back to Eurocopter.

This includes items being returned for warranty, standard exchange, rental, to be repaired or overhauled. An RMA number is given to you (by your CSR) to complete the form. The form and associated documents must be attached to the shipment documents. We encourage you to send your RMA request well in advance, so as not to delay shipping of parts and to allow us to anticipate your needs accordingly.

This will ultimately improve the parts receiving process and order/parts matching will also reduce turnaround time, improve repair shop planning and increase responsiveness.



The AMRMA form will be sent to you shortly and is currently available on our website.

### *Return location reminder*

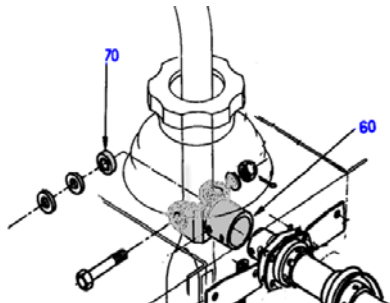
All parts are to be returned DDV (incoterms to our Fort Erie location 1100 Gilmore Road Fort Erie, ON L2A 5M9 or will be subject to freight bill back. Rates will be determined by Eurocopter Canada based on freight and insurance market rates.



## Old style cyclic installation

When working on older aircraft the cyclic installation (OPEN 350 IPC chapter 67.10.10 fig. 2) you will find that there are bushings installed in the yoke for the lateral axis in place of the bearings item 70.

The parts required to replace the bushings are still available and the bushings and associated parts to complete the installation are listed below. If you want to upgrade to the new style, you will have to purchase yoke item 60, p/n 350A27-1598-00 and the associated bearings and hardware.



Old style bushing installation & associated hardware:

QTY	Part Number	Description
2	350A27-1060-23	Bushing
2	350A27-1020-00	Adjustment washer
1	350A27-1581-20	Shouldered Pin
1	23111AG100LE	Washer
1	23111AG080LE	Washer
1	ASNA0045-080BCL	Nut
1	23310CA012020	Cotter Pin

## Customer photo submission

Eurocopter Canada is now accepting photo submissions for our 2012 calendar, as well as, images to be features on our new website - to be launched later this year.

All submissions must include the following:

- Photo credit
- Geographical location of image
- High resolution file
- Signed release waiver



All interested parties should contact Laura Scott, Communications Coordinator at [laura.scott@eurocopter.ca](mailto:laura.scott@eurocopter.ca) for further information.

## SERVICE BULLETINS

### EC 120

TIP 28-006 FUEL MANAGEMENT ON VEMD

SIN 2322-S-25 EQUIPMENT AND FURNISHINGS - CHELTON TRI-FREQUENCY ANTENNA P/N 21-41

SIN 2332-S-00 GENERAL - On-board installation, checks before starting up

SIN 2339-S-53 FUSELAGE - Engine cowling locking - Opening of an engine cowling in flight

SIN 2343-S-05 TIME LIMITS - MAINTENANCE CHECKS - Helicopter operating limitations

SIN 2346-S-67 ROTOR FLIGHT CONTROLS - SERVO-CONTROLS - EUROCOPTER recommendation for D-Level repair and overhaul of servo-controls

ASB 25A026 EQUIPMENT AND FURNISHINGS - Emergency floatation gear - Protector installation on the rear bracket and the supply couplings

IN 2058-I-25 EQUIPMENT AND FURNISHINGS - KANNAD three-frequency or CPI 503 emergency locator transmitters - Emergency locator transmitters delivered with a maintenance code

### AS 350

IN 2325-I-62 MAIN ROTOR - Measures to be taken in case of slippage or distortion of Main Rotor Hub frequency adapters

ASB 65.00.46 ROTOR FLIGHT CONTROLS - Tail gearbox - Check of the Tail gearbox (TGB) casing assembly.

SB 25.00.29 EQUIPMENT AND FURNISHINGS - Outside panoramic rear view mirror Rev. 2

SB 63.00.17 MAIN ROTOR DRIVE - Check of the Hydraulic Pump Drive Pulley rev. 1

TIP 33-00-21 LED-TYPE ANTICOLLISION LIGHT

IN 2331-I-00 GENERAL - Electronic publication INDOC AS350 B2/B3 - Error messages during consultation

SB 63.00.08 MAIN ROTOR DRIVE - Poly V trapezoidal type belt installation on hydraulic pump drive rev. 2

INDOC AIP AS 350 B2-B3 Rev. 001.01

SB 25.00.91 EQUIPMENTS AND FURNISHINGS - KANNAD 406 AF-H E.L.T. installation Rev. 2

SB 25.00.80 EQUIPMENT AND FURNISHINGS - Cargo Sling Long Line Installation (Fixed Part) Rev. 3

SIN 2322-S-25 EQUIPMENT AND FURNISHINGS - CHELTON TRI-FREQUENCY ANTENNA P/N 21-41

SB 21.00.18 AIR CONDITIONING - Heating - Heating noise reduction SIN

2334-S-00 GENERAL - MAIN ROTOR BLADE - Check of the skin on the trailing edge Rev. 1

SB 24.00.01 ELECTRICAL POWER - Starting in very cold weather Rev. 3

SB 25.00.35 EQUIPMENT AND FURNISHINGS - "AERAZUR" Helium Type Emergency Floatation Gear Installation (Fixed Parts) Rev. 5

SIN 2332-S-00 GENERAL - On-board installation, checks before starting up

IN 2333-I-28 FUEL - Flowmeter - Obsolescence of the battery

SB 63.00.18 MAIN ROTOR DRIVE - Installation of a new NR sensor on the Main Rotor Hub

SIN 2343-S-05 TIME LIMITS - MAINTENANCE CHECKS - Helicopter operating limitations

SIN 2346-S-67 ROTOR FLIGHT CONTROLS - SERVO-CONTROLS - EUROCOPTER recommendation for D-Level repair and overhaul of servo-controls

IN 2345-I-80 STARTING - STARTER-GENERATOR - Rupture of the Frangible Section of the Starter-Generator Shaft

IN 2058-I-25 EQUIPMENT AND FURNISHINGS - KANNAD three-frequency or CPI 503 emergency locator transmitters - Emergency locator transmitters delivered with a maintenance code

SIN 2355-S-05 TIME LIMITS - MAINTENANCE CHECKS - Baggage compartment door - Opening of a baggage compartment door in flight



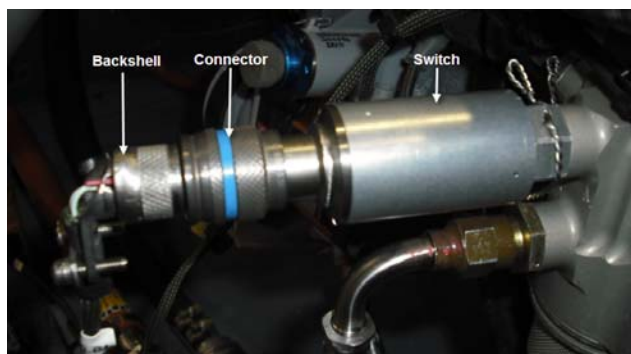


## Replacement of AUXITROL Hydraulic Pressure Switch

Eurocopter has released SB 29.00.14 (AS350) and SB 29.00.09 (AS355) concerning replacement of the AUXITROL hydraulic pressure switch PN MA124-01 & MA125-00 due to obsolescence. There has been some difficulty in supplying the replacement kits due to shortages from suppliers. For the short term operators will be required to install the switches without having the pre-fabricated harnesses.

The following PN information will assist operators in completing the changes necessary in order to install the new pressure switch.

Part Number	Description
704A37-7211-17 (MC6984-0-00)	..Switch
85333KS08-03S6	..Connector
620AA014Z108C	..Backshell (90 degree)
704A37-7211-18 (MC6985-0-00)	..Switch
85333KS08-03S7	..Connector
620AA014Z108C	..Backshell (90 degree)



Reuse the black plug from the removed switch harness with new pins and wire installing the new applicable connector & backshell at the switch end.

**CAUTION:** Be aware that this is a two position switch. It must be wired so that there is continuity through the switch with no pressure applied.

*For example:*

AS350B2 WDM 29-10-00, 001g (Post MOD 07-3391) calls up to use pins 2 and 3 on the connector at the new switch. This is incorrect. Pins 1 and 3 are used. If pins 2 and 3 were used there would be continuity with system pressurized and light would be on with aircraft running.

## SERVICE BULLETINS

### EC 130

IN 2325-I-62 MAIN ROTOR - Measures to be taken in case of slippage or distortion of Main Rotor Hub frequency adapters

SB 63-005 MAIN ROTOR DRIVE - Check of the Drive Pulley of the Main Hydraulic Pump Rev. 1

SIN 2322-S-25 EQUIPMENT AND FURNISHINGS - CHELTON TRI-FREQUENCY ANTENNA P/N 21-41

SIN 2334-S-00 GENERAL - MAIN ROTOR BLADE - Check of the skin on the trailing edge Rev. 1

"E"ASB 53A019 FUSELAGE - Check of the tail boom / Fenestron junction frame

SB 25-020 EQUIPMENT AND FURNISHINGS - Electric Rear View Mirror Rev. 1

SB 25-032 EQUIPMENT AND FURNISHINGS - 1160-Kilogram Cargo Swing (Fixed Parts) Rev. 1

SB 33-004 LIGHTS - Installation of a 450 W swivel, retractable light Rev. 2

SIN 2340-S-53 FUSELAGE - Junction frame between tail boom and Fenestron

SIN 2332-S-00 GENERAL - On-board installation, checks before starting up SB 63-006 MAIN ROTOR DRIVE - Installation of a new NR sensor on the Main Rotor Hub

SIN 2343-S-05 TIME LIMITS - MAINTENANCE CHECKS - Helicopter operating limitations

SIN 2346-S-67 ROTOR FLIGHT CONTROLS - SERVO-CONTROLS - EUROCOPTER recommendation for D-Level repair and overhaul of servo-controls

ASB 25A042 EQUIPMENT AND FURNISHINGS - Emergency floatation gear -

Protector installation on the rear bracket and the supply couplings

IN 2058-I-25 EQUIPMENT AND FURNISHINGS - KANNAD three-frequency or CPI 503 emergency locator transmitters - Emergency locator transmitters delivered with a maintenance code Rev. 1

### AS 355

IN 2325-I-62 MAIN ROTOR - Measures to be taken in case of slippage or distortion of Main Rotor Hub frequency adapters

ASB 65.00.22 ROTOR FLIGHT CONTROLS - Tail gearbox - Check of the Tail gearbox (TGB) casing assembly.

SB 25.00.18 EQUIPMENT AND FURNISHINGS - Outside panoramic rear view mirror Rev. 2

TIP 33-00-18 LED-TYPE ANTICOLLISION LIGHT

SB 25.00.81 EQUIPMENTS AND FURNISHINGS - KANNAD 406 AF-H E.L.T. installation Rev. 2

SIN 2322-S-25 EQUIPMENT AND FURNISHINGS - CHELTON TRI-FREQUENCY ANTENNA P/N 21-41

SIN 2334-S-00 GENERAL - MAIN ROTOR BLADE - Check of the skin on the trailing edge

SIN 2332-S-00 GENERAL - On-board installation, checks before starting up

IN 2333-I-28 FUEL - Flowmeter - Obsolescence of the battery

SB 25.00.24 EQUIPMENT AND FURNISHINGS - Cable cutter installation Rev.2

SB 63.00.24 MAIN ROTOR DRIVE - Installation of a new NR sensor on the Main Rotor Hub

SIN 2343-S-05 TIME LIMITS - MAINTENANCE CHECKS - Helicopter operating limitations

SIN 2346-S-67 ROTOR FLIGHT CONTROLS - SERVO-CONTROLS - EUROCOPTER recommendation for D-Level repair and overhaul of servo-controls

IN 2058-I-25 EQUIPMENT AND FURNISHINGS - KANNAD three-frequency or CPI 503 emergency locator transmitters - Emergency locator transmitters delivered with a maintenance code Rev. 1

SIN 2355-S-05 TIME LIMITS - MAINTENANCE CHECKS - Baggage compartment door - Opening of a baggage compartment door in flight

### EC 135

SB 85-050 OPTIONAL EQUIPMENT - External Mounted Hoist System Correction of the incorrect display of the cable length on the CPDS





## SERVICE BULLETINS

SIN 2313-S-33 Lights – Search and Landing Light - Correct routing of the electrical connecting wire

IN 2326-I-25 Equipment / Furnishings - Distribution of Service Bulletin 0520-001A of Fischer+ Entwicklungen

ASB 26A-003 Fire Protection System – Engine Fire Extinguishing System – Retrofit of heat-resistant injection tubes Rev. 1

SB 32-016 LANDING GEAR -- TUBULAR ENTRANCE STEP / MULTI--PURPOSE CARRIER - Retrofit of flat treads

ASB 31A-053 INDICATING AND RECORDING SYSTEMS – BARO ROTARY KNOB ON THE INSTRUMENT CONTROL PANEL (ICP) Rev. 2

SB 26-006 FIRE PROTECTION SYSTEM -- Engine fire extinguishing system Modification of the switching logic for the triggering of the fire protection system

"E"ASB 21A-013 AIR CONDITIONING -- Mechanical air conditioning - Inspection of the compressor bearing block

SB 26-002 Fire Protection System – Engine Fire Extinguishing System – Retrofit of Engine Fire Extinguishing System Rev. 1

SIN 2323-S-34 NAVIGATION - Incorrect indication on the HSI (Horizontal Situation Indicator)

SB 25-014 EQUIPMENT/FURNISHINGS – Separation wall and smoke detector - Retrofit of a separation wall and of a smoke detector

SB 33-013 LIGHTS – Display "Belt and Non-Smoking" Retrofit of the display "Belt and Non-Smoking"

ASB 33A-009 LIGHTS - Instrument Lighting Retrofit of the electrical wiring in the overhead panel Rev. 2

SIN 2343-S-05 TIME LIMITS - MAINTENANCE CHECKS - Helicopter operating limitations

SIN 2346-S-67 ROTOR FLIGHT CONTROLS - SERVO-CONTROLS - EUROCOPTER recommendation for D-Level repair and overhaul of servo-controls

SB 24-023 Electrical Power – AC Power System – Improvement of the switch-on procedure for the inverters (50VA and 350VA) Rev. 1

SB 26-007 FIRE PROTECTION SYSTEM – Portable fire extinguisher - Relocation of the portable fire extinguisher to the center post

SB 21-015 AIR CONDITIONING – Mechanical air conditioning - Retrofit of the compressor bearing block

IN 2353-I-85 Optional equipment / Unintentional release of the cable cutter on a rescue winch of the MBB-BK117 C-1

**AS 365**

ASB 53.00.50 FUSELAGE - Draining tank box area Corresponds to modifications 0745C96, 0753C98, 365A084485.00, 365A081003.00

IN 2325-I-62 MAIN ROTOR - Measures to be taken in case of slippage or distortion of Main Rotor Hub frequency adapters

SB 29.00.09 HYDRAULIC POWER - Check of the Hydraulic Pipe Installation Rev. 2

ASB 05.00.61 TIME LIMITS - MAINTENANCE CHECKS – Tail Gearbox (TGB)- Checking the condition of the TGB control rod bearing

ASB 05.00.54 TIME LIMITS - MAINTENANCE CHECKS - Maintaining the oil level in the tail gearbox (TGB) at its maximum level. Checking the tail rotor hub (TRH) pitch change control rod bearing for absence of play. Rev. 4

SB 21.00.22 AIR CONDITIONING - Heating hoses - Heating hose replacement

LI 019-2011 TECHNICAL INFORMATION LETTER (T/R Gearbox Control Rod Check)

SIN 2322-S-25 EQUIPMENT AND FURNISHINGS - CHELTON TRI-FREQUENCY ANTENNA P/N 21-41

SB 67.00.15 ROTOR FLIGHT CONTROLS - LH roll channel lever - Check of the LH roll channel lever Revision

SIN 2332-S-00 GENERAL - On-board installation, checks before starting up

IN 2333-I-28 FUEL - Flowmeter - Obsolescence of the battery

SB 25.00.76 EQUIPMENT AND FURNISHINGS - Replacement of Immersion Probe 64762-001-1 (Emergency Flotation Gear, CVR, CVFDR)

SB 05.00.62 TIME LIMITS - MAINTENANCE CHECKS - CVR - EMERGENCY FLOTATION GEAR - CV/FDR - Check of the immersion probe

IN 2336-I-77 ENGINE INDICATING - B0800 code on Fault Annunciator Unit (FAU) without any GOV light following pre-flight electrical tests

SIN 2348-S-00 GENERAL - AmSafe Restraint System - Jammed connector in a Rotary Buckle

SIN 2343-S-05 TIME LIMITS - MAINTENANCE CHECKS - Helicopter operating limitations

SIN 2346-S-67 ROTOR FLIGHT CONTROLS - SERVO-CONTROLS - EUROCOPTER recommendation for D-Level repair and overhaul of servo-controls

ASB 05.00.61 TIME LIMITS - MAINTENANCE CHECKS – Tail Gearbox (TGB) - Checking the condition of the TGB control rod bearing Rev. 1

IN 2058-I-25 EQUIPMENT AND FURNISHINGS - KANNAD three-frequency or CPI 503 emergency locator transmitters - Emergency locator transmitters delivered with a maintenance code Rev. 1

### BO 105

IN 2312-I-00 GENERAL - AIP/Patch on TIPI

SIN 2273-S-64 TAIL ROTOR SYSTEM - Maintenance operations on the tail rotor transmission – Observance of the maintenance operations i.a.w. MM/AMM

SIN 2343-S-05 TIME LIMITS - MAINTENANCE CHECKS - Helicopter operating limitations

SIN 2346-S-67 ROTOR FLIGHT CONTROLS - SERVO-CONTROLS - EUROCOPTER recommendation for D-Level repair and overhaul of servo-controls

IN 2353-I-85 Optional equipment / Unintentional release of the cable cutter on a rescue winch of the MBB-BK117 C-1

### BK 117

IN 2304-I-00 General information – Error in the INDOC CD 4 of the BK117 C-1 and in the INDOC DVD 12 of the BK117 C-2

SIN 2328-S-62 MAIN ROTOR SYSTEM - Rotor hub cap - Preflight check of the main rotor hub cap

SIN 2273-S-64 TAIL ROTOR SYSTEM - Maintenance operations on the tail rotor transmission – Observance of the maintenance operations i.a.w. MM/AMM

SIN 2343-S-05 TIME LIMITS - MAINTENANCE CHECKS - Helicopter operating limitations

SIN 2346-S-67 ROTOR FLIGHT CONTROLS - SERVO-CONTROLS - EUROCOPTER recommendation for D-Level repair and overhaul of servo-controls

"E"ASB 80-166 OPTIONAL EQUIPMENT - Rescue Winch Removal of rescue winch from service

IN 2353-I-85 Optional equipment / Unintentional release of the cable cutter on a rescue winch of the MBB-BK117 C-1





## Save with Rotor Rewards and enter a draw for a chance to win one of four exciting prizes!

Eurocopter's first customer loyalty program provides Canadian owners and operators of Eurocopter aircraft with exclusive benefits, covering Eurocopter Canada's full range of services. These include:

- > Additional Spares Discount as per the program's terms and conditions.
- > Reward Points on purchase of future services.
- > Exclusive perks & promotions.

Current and new members will have a chance to win one of the following four prizes:

> **1st Prize**  
Apple iPad



> **2nd Prize**  
Apple iPod touch



> **2nd Prize**  
Cutter & Buck leather bag



> **4th Prize**  
Wheeled duffel bag



Notifications to winners

Prize winners will be notified in writing by Eurocopter Canada by October 2011.

[www.eurocopter.ca](http://www.eurocopter.ca)

Not a member?  
Enrol by August 31st, 2011.



How can you enrol?



- 1 Go to [www.eurocopter.ca/rotorrewards](http://www.eurocopter.ca/rotorrewards)  
Download the Rotor Rewards enrolment form and carefully read the Terms & Conditions.
- 2 Complete the form and email it back to Eurocopter Canada at: [rotorrewards@eurocopter.ca](mailto:rotorrewards@eurocopter.ca)
- 3 Please send us your form before August 31st, 2011 to ensure you that you will be automatically entered into the draw.

For further information on the Rotor Rewards Program, please contact your Eurocopter Canada representative or visit our website: [www.eurocopter.ca/rotorrewards](http://www.eurocopter.ca/rotorrewards)

### Draw eligibility for current Rotor Rewards members



The Rotor Rewards Draw is open to all existing members of the Rotor Rewards program enrolled by August 31st, 2011.

EXISTING MEMBERS ARE AUTOMATICALLY ENTERED IN THE DRAW SUBJECT TO THEIR ANNUAL FLEET INFORMATION BEING UP-TO-DATE.

Please contact the Rotor Rewards Team at [rotorrewards@eurocopter.ca](mailto:rotorrewards@eurocopter.ca) in case of any questions regarding eligibility.





## Maintenance training schedule

Airframe	Date	Engine	Date	Location
AS350 B3	Sept 19th-30th, 2011	Arriel 2B1	Oct 3rd-7th, 2011	Fort Erie, ON
AS350 B2	Oct 17th-28th, 2011	Arriel 1D1	Oct 31st-Nov 4th, 2011	BCIT (Richmond, BC)
AS350, AS350 B3, EC130 B4	Nov 14th-18th, 2011	Arriel 2B1	Nov 21st-25th, 2011	Fort Erie, ON
EC120	Dec 5th-16th, 2011	Arrius 2F	Dec 19th-23rd, 2011	ENA (St-Hubert, QC)
AS350 B2	Jan 9th-20th, 2012	Arriel 1D1	Jan 23rd-27th, 2012	ENA (St-Hubert, QC)
AS350, AS350 B3, EC130 B4	Feb 6th-10th, 2012	Arriel 2B1	Feb 13th-17th, 2012	Fort Erie, ON
AS350 B2	March 5th-16th, 2012	Arriel 1D1	March 19th-23rd, 2012	BCIT (Richmond, BC)
AS350 B2	April 16th-27th, 2012	Arriel 1D1	April 30th-May 4th, 2012	Fort Erie, ON

Please note that location may be subject to change.

For more information on courses, prices and how to enroll, visit the Eurocopter Canada

website: [www.eurocopter.ca](http://www.eurocopter.ca)



EC175

