



SUBJECT:

Required maintenance for Standard Interior Modification, Bush Seat Cushion
(P/N 350-701044).

APPLICABILITY :

Aircraft with the subject modification embodied in accordance with TCCA STC
No. SH12-28 or any relevant foreign approvals.

THE INFORMATION CONTAINED IN THIS DOCUMENT SHALL BE TREATED AS THE PROPERTY OF EUROCOPTER CANADA LIMITED (ECL). THE RECIPIENT OF THIS DOCUMENT SHALL NOT DISCLOSE ANY INFORMATION CONTAINED HEREIN TO THIRD PARTIES WITHOUT THE WRITTEN PERMISSION OF ECL, AND SHALL NOT USE OR REPRODUCE THIS DOCUMENT IN WHOLE OR IN PART FOR ANY PURPOSE OTHER THAN ITS ORIGINALLY INTENDED PURPOSE, OR TO EVALUATE ITS CONTENTS.

	NAME AND SIGNATURE	DATE	COMPANY DEPARTMENT
PREPARED BY:	D. Kerr <i>D. Kerr</i>	10 Sept., 2012	ECL ENGINEERING
PREPARED BY:			
CHECKED BY:	C. Timmins <i>C. Timmins</i>	16 th Sept, 2012	ECL ENGINEERING
CHECKED BY:	M. Merritt <i>M. Merritt</i>	2012-09-10	ECL QUALITY ASSURANCE
APP'D / ACCEPTED (Civil A/W Authority)	As per ICA Compliance Check Sheet <i>C. Timmins</i>	5 th Nov 2012	TCCA
RELEASED BY:	R. Manson <i>R. Manson</i>	5 Nov 2012	ECL ENGINEERING



RECORD OF REVISIONS

Rev.	Pages at this Revision	Description, Reason Changed Pages	Prepared (name and date)	Checked (name and date)	App'd/Acc'd (Civil A/W Authority) (name and date)	Released (name and date)
0	1 through 16 A1 B1	Original issue.	D. Kerr 22 March 2012	C. Timmins 22 March 2012	N/A	R. Manson 28 March 2012
1	1 through 16 A1 B1	Revised to incorporate drawing changes. (Pages 4, 5 to 8, 10 and 14)	See page 1.	See page 1.	See page 1.	See page 1.
2	1 through 18 A1 - A2 B1	Amend text "cushion" change to cover. Revised the Weight and Balance Charts. Addition of Double Rear Seat Cushions. (Pages 3 to 12 and 14 to 18)	See page 1.	See page 1.	See page 1.	See page 1.

NOTE: Revisions to this document will be distributed to operators of this equipment by the STC holder.
 NOTE: Revised portions of affected pages are identified by a vertical black line in the margin adjacent to the change.

Transport Canada - Accepted



CONTENTS

SECTION	TITLE	PAGE
1	GENERAL	4
2	AIRWORTHINESS LIMITATIONS	13
3	CONTROL AND OPERATION	14
4	INSPECTION SCHEDULE AND MAINTENANCE ACTION	14
5	REPLACEMENT COMPONENTS AND REPAIR / OVERHAUL INFORMATION	15
6	TROUBLESHOOTING	15
7	SPECIAL TOOLING	15
8	REMOVAL AND REPLACEMENT	15
9	WEIGHT AND BALANCE DATA	17
10	PLACARDS AND MARKINGS	18
Appendix A	Interior Modification drawing (2 pages)	
Appendix B	Vinyl Seat Cover cleaning information (1 page)	

FIGURES

FIGURE	TITLE	PAGE
1	General Layout	5
2	Forward Bush Seat Cover Details	6
3	Forward Bush Seat Cover Details Continued	7
4	Rear Bush Seat Cover Details	8
5	Rear Bush Seat Cover Details Continued	9
6	Rear Bush Seat Cover Details Continued	10
7	Double Rear Seat Cushion Details	11

TABLES

TABLE	TITLE	PAGE
1	Inspection Schedule and Maintenance Action Every 150 FH or 12 M (Margin: 15 FH or 36D)	14

Transport Canada - Accepted

1. **GENERAL**

- A. The subject Standard Interior Modification for the Bush Seat Cushion is defined by ECL drawing number 350-701044 and consists of the following seat cover configurations:

Description	Part Number	OEM Cushion Part Number	Appendix Number
Forward Seat Cover	350-701044-01	P/N F0428848	Appendix A, B
Rear Seat Back Cover	350-701044-02	P/N 350A771412.11	Appendix A, B
Rear Seat Back Cover	350-701044-03	P/N 350A771412.12	Appendix A, B
Rear Seat Bottom Cover	350-701044-06	P/N 350A771412.10	Appendix A, B
Double Rear Seat Cushions	350-701044-07	Not Applicable	Appendix A, B

The forward and rear bush covers are all manufactured from vinyl. These covers may be utilized as an alternate to the standard seat covers. The double rear seat cushions may be used as an alternative to the OEM seat cushions.

The forward bush covers are manufactured to fit the OEM foam used on the energy absorbing seat. The cushions are secured to the seat frame using snaps and velcro hook and loop.

Two strap holders manufactured from vinyl are attached to the back of the rear bush cushion cover. Two OEM cushion security straps feed through the strap holders securing the rear back seat cushion to the cabin wall. Velcro loop on the back of the rear back cushion secures the cushion to the existing velcro hook on the back wall.

The double rear seat cushion has one strap holder manufactured from vinyl attached to the back cushion of the double rear seat cushion. One OEM cushion security strap is feed through the strap holder securing the double rear seat cushion to the cabin wall. Velcro loop on the back of the double rear seat cushion secures the cushion to the existing velcro hook on the back wall.

The cushion security straps and velcro hook and loop are used to prevent the rear cushions from exiting the aircraft when operating the aircraft with the doors open or removed.

The rear back and bottom cushions are secured together using Velcro. The rear bottom cushions are secured to the seat frame using velcro hook and loop.

Refer to Figure 1 for General Layout.

- B. These Instructions for Continued Airworthiness are applicable to aircraft with the subject modification embodied.



1. **GENERAL** (continued)

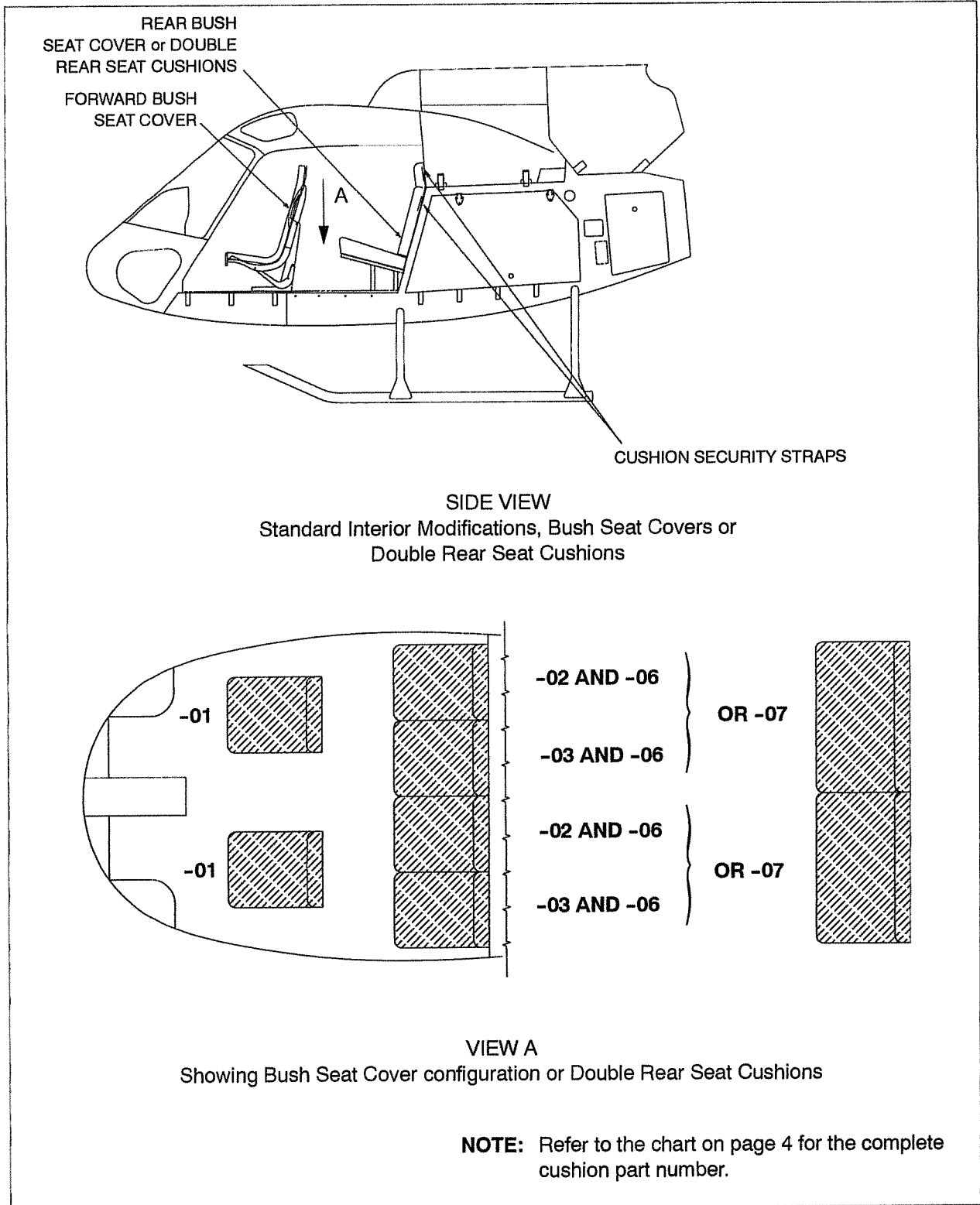


Figure 1 General Layout

Transport Canada - Accepted

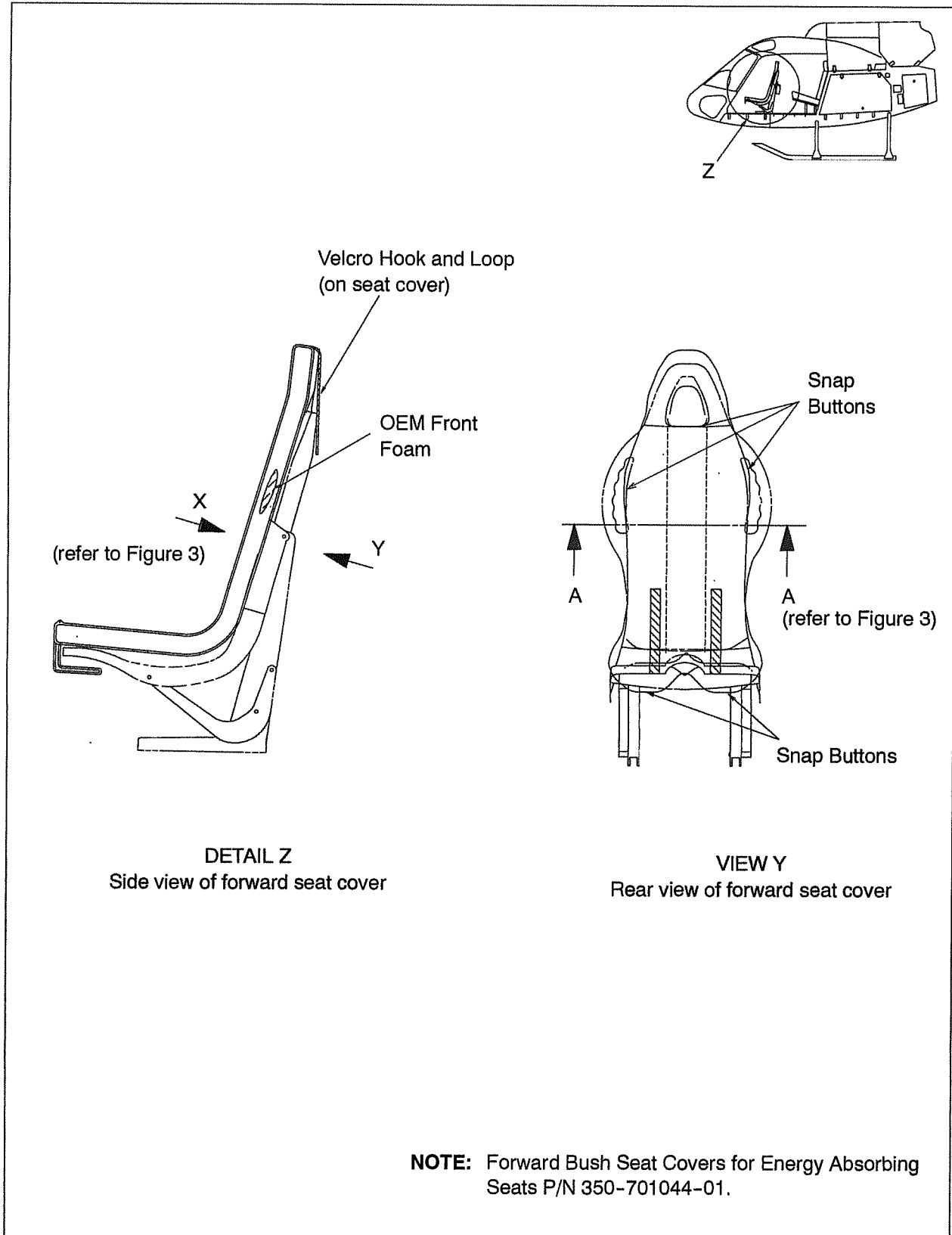


Figure 2 Forward Bush Seat Cover Details

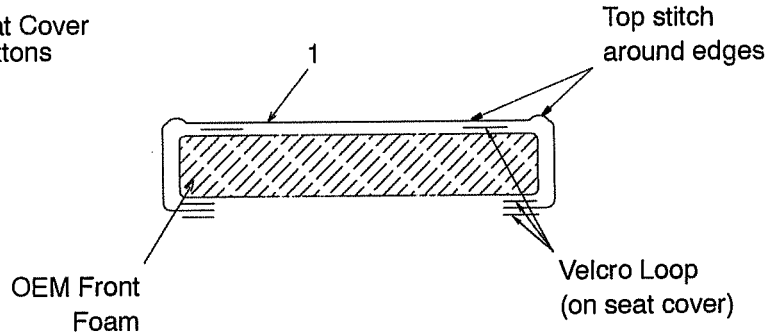
Transport Canada - Accepted



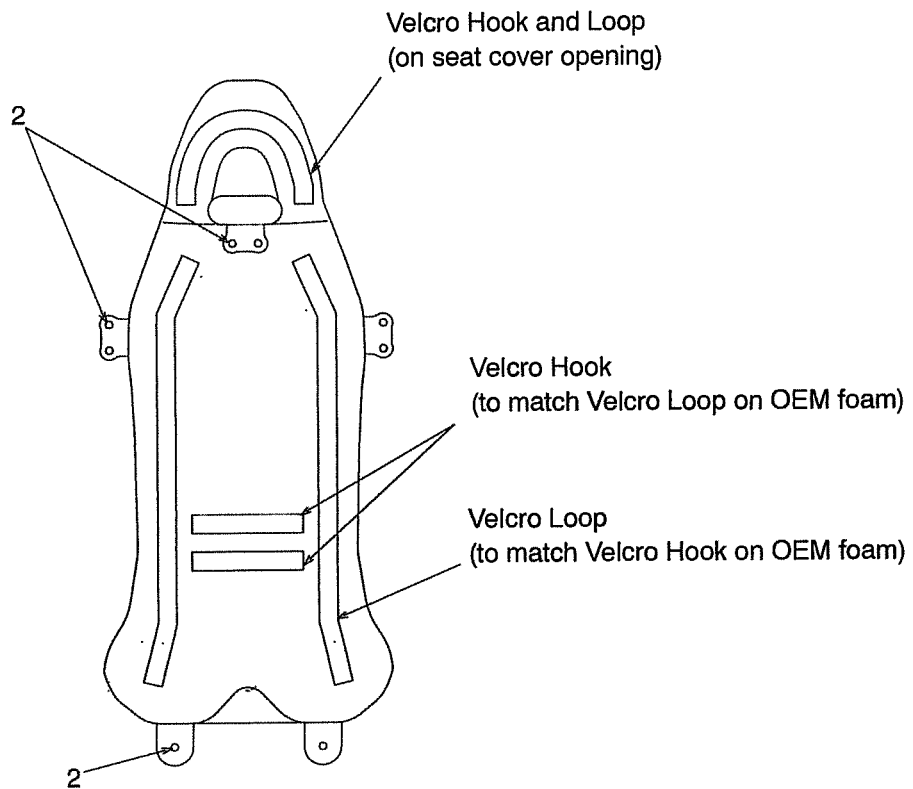
Legend (for Figure 3)

Item Description

- 1. Vinyl Seat Cover
- 2. Snap Buttons



SECTION A - A
Showing forward seat cover



VIEW X
Showing inside forward seat cover

Figure 3 Forward Bush Seat Cover Details Continued

Transport Canada - Accepted

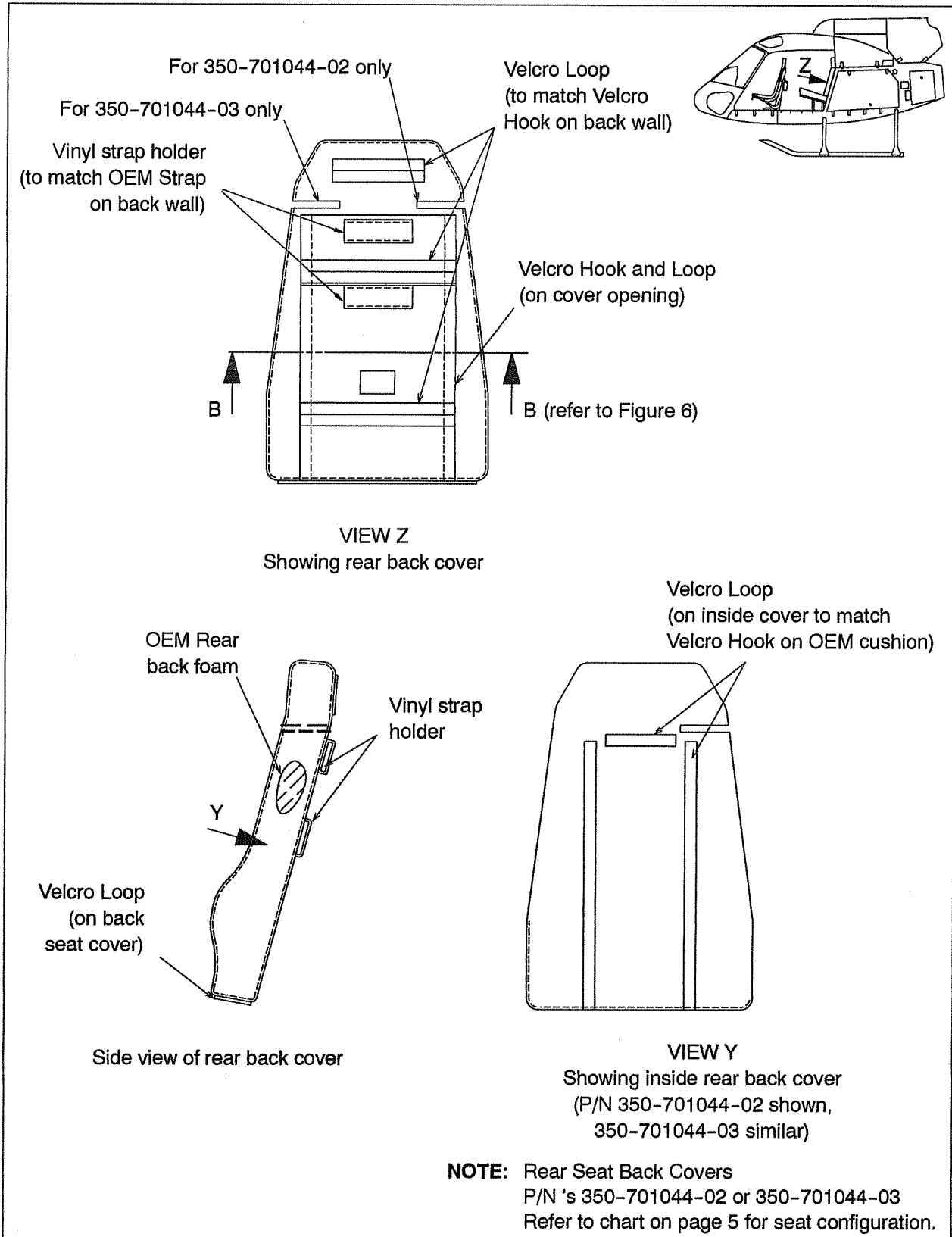


Figure 4 Rear Bush Seat Cover Details

Transport Canada - Accepted

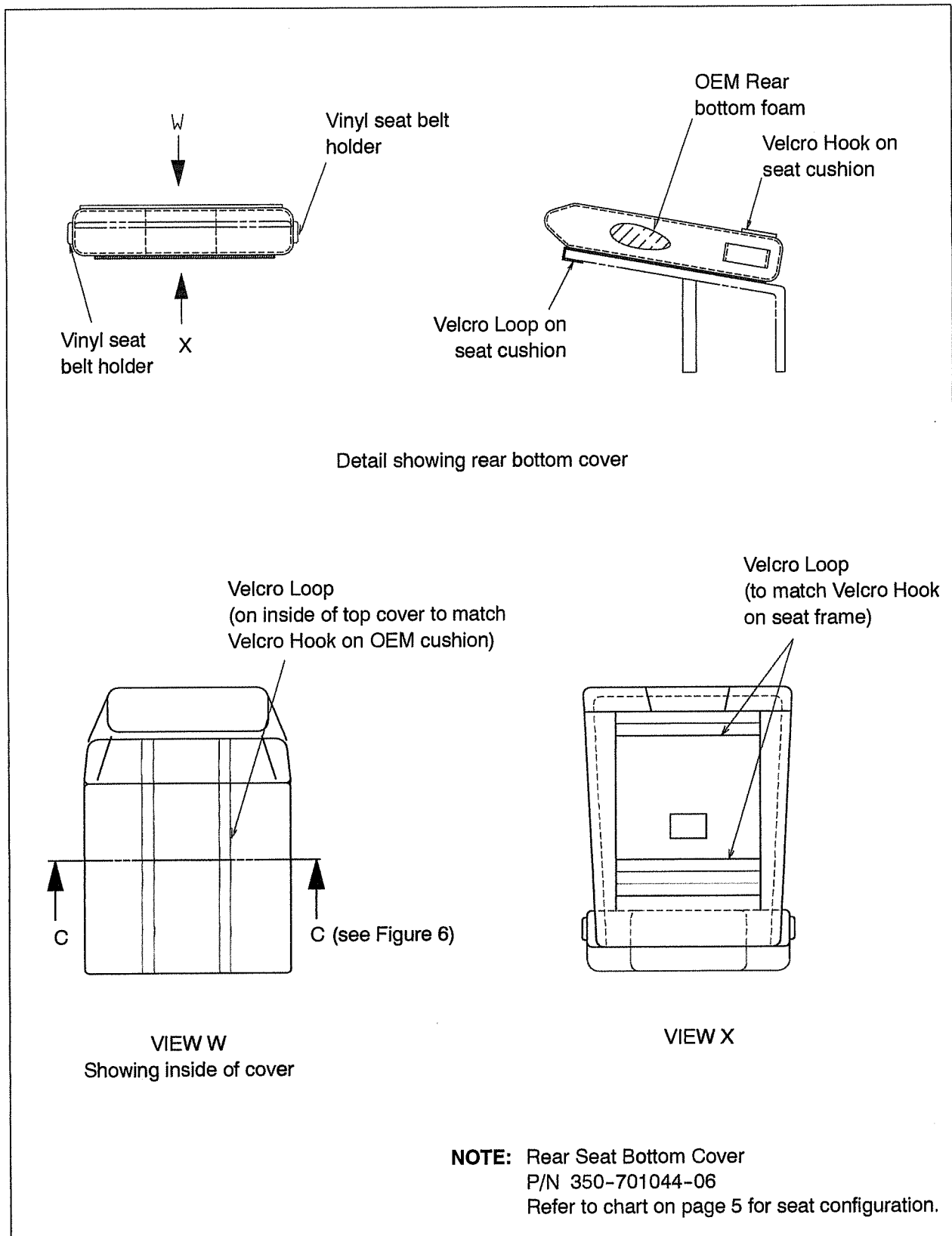


Figure 5 Rear Bush Seat Cover Details Continued

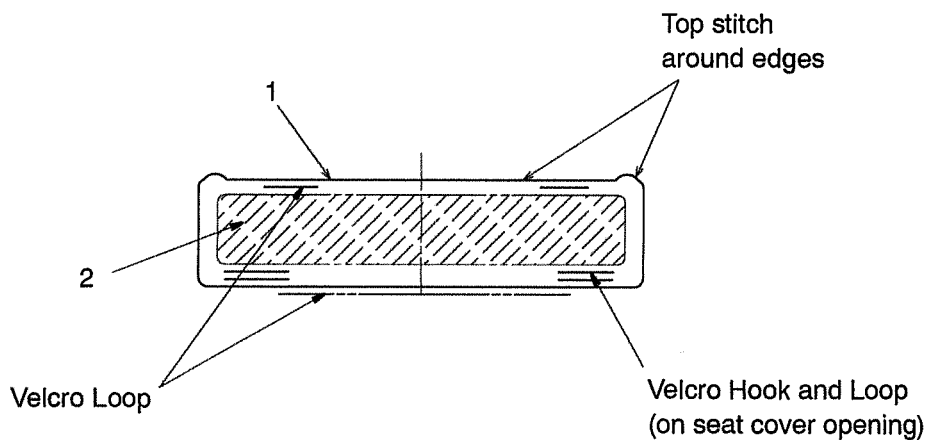
Transport Canada - Accepted



Legend (for Figure 6)

Item Description

1. Vinyl Seat Cover
2. OEM Rear Bottom Foam or OEM Rear Back Foam



SECTION B - B
SECTION C- C
Showing rear bottom or back cover

Figure 6 Rear Bush Seat Cover Details Continued

Transport Canada - Accepted

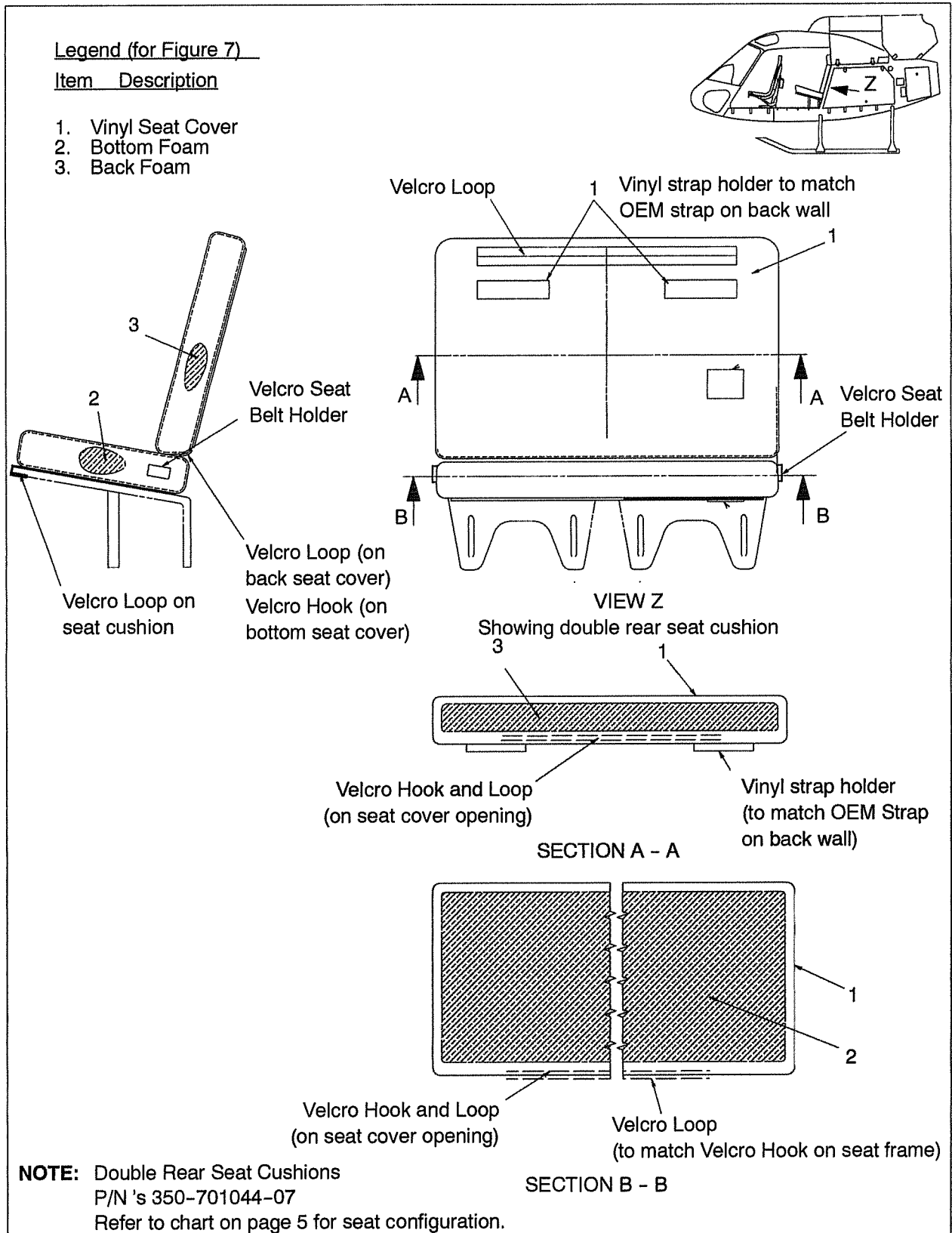


Figure 7 Double Rear Seat Cushion Details

Transport Canada - Accepted

C. REFERENCES

DOCUMENT	DOCUMENT TITLE
AMM (B2/B3)	Aircraft Maintenance Manual
MTC (All aircraft)	Standard Practices Manual

D. ABBREVIATIONS & DEFINITIONS

ABBREVIATION	DEFINITION
D	Days
EC	Eurocopter (France)
ECL	Eurocopter Canada Limited
FH	Flight Hours
hrs.	hours
M	Months
OEM	Original Equipment Manufacturer
P/N	Part Number
ref.	reference

E. UNITS OF MEASUREMENT

ABBREVIATION / SYMBOL	UNIT OF MEASUREMENT
kg	kilogram
lb	pound
m	meter
mm	millimeters
in	inch

Transport Canada - Accepted

2. AIRWORTHINESS LIMITATIONS

The Airworthiness Limitations section is approved by the Minister and specifies maintenance required by any applicable airworthiness or operating rule unless an alternative program has been approved by the Minister.

No airworthiness limitations associated with this installation.



3. CONTROL AND OPERATION

Control and operation of the aircraft remains unchanged.

4. INSPECTION SCHEDULE AND MAINTENANCE ACTION

NOTE: Use torque per EC MTC, Volume 2, Chapter 20.02.05.404, unless otherwise specified.

4.1. INSPECTION SCHEDULE

4.1.1. Every 150 FH or 12 M (Margin: 15 FH or 36 D) to coincide with the 150 hrs or 12 months helicopter inspection, whichever occurs first:

ITEM	INSPECTION OR MAINTENANCE WORK	CORRECTIVE ACTION
A	- Check cushion security straps on back wall, shown in Figure 1, for: a. security	a. Secure as required.
B	- Visually inspect snaps on forward and seat coverings, shown in Figure 2 for: a. security	a. Secure button snaps as required.
C	- Visually inspect strap holder on back of each rear seat, shown in Figures 4 and 7, for: a. separating	a. Check that strap is not separating from seat cushion. If so, contact Eurocopter Canada Limited.
D	- Check vinyl seat covering, item 1, in Figures 3, 5 and 7 for: a. tearing b. cleanliness	a. Check that foam/backing is not exposed. If so, contact Eurocopter Canada Limited. b. For cleaning instructions, refer to Appendix B.
E	- Visually inspect velcro hook and loop on vinyl seat covers shown in Figures 2, 3, 4, 5, 6 and 7 for: a. wear b. security	a. Wear is not permitted. If wear is evident, replace velcro in accordance with: For AS 350 (excluding the B2 and B3) refer to MTC Chapter 20.03.04.406. For AS 350 B2 and B3 refer to EC AMM Chapter 25-21-00, 8-4. Refer to Appendix A for replacement Part Number. b. Secure as required.

Table 1 Inspection Schedule and Maintenance Action
Every 150 FH or 12 M to coincide with the 150 FH or 12 M helicopter inspection, whichever occurs first

Transport Canada - Accepted



5. REPLACEMENT COMPONENTS AND REPAIR / OVERHAUL INFORMATION

Contact ECL for replacement parts. No replacement information required for this installation.

6. TROUBLESHOOTING

There are no unique characteristics which require troubleshooting techniques.

7. SPECIAL TOOLING

No special test equipment or tools are required. Standard tools are adequate.

8. REMOVAL AND REPLACEMENT

Proceed as follows if any of these items need to be removed.

PRELIMINARIES

- Remove standard seat cushions and store.

A. REMOVAL

1) FWD SEAT COVER (Refer to Figure 2)

- a) Unsnap cushions from seat frame.
- b) Remove cushions from pilot and co-pilot seat frame and place on workbench with back of the cushion facing up.
- c) Carefully peel open the velcro hook and loop and remove the OEM cushion cover from the OEM foam.

2) REAR SEAT COVER (Refer to Figures 4 and 5)

- a) Remove cushion security straps from the vinyl strap holders located on the seat back of the seat back cushions.
- b) Remove the seat back cushions and seat bottom cushions from the rear seat frames. Place cushions on a workbench with underside facing up.
- c) Carefully peel open the velcro hook and loop and remove the OEM foam from each cushion.

3) DOUBLE REAR SEAT CUSHION (Refer to Figure 7)

- a) Remove cushion security strap from the vinyl strap holder located on the seat back of the rear double back cushions.
- b) Remove the rear double back cushions and rear double bottom cushions from the rear seat frames.
- c) Store cushions.

Transport Canada - Accepted



B. REPLACEMENT

1) FWD SEAT COVER (Refer to Figure 2)

- a) Open out seat cover on a flat surface.
- b) Align inside of cover with a plastic sheet, enough to cover the velcro.
- c) Place OEM cushion into cover and once fitted into place, quickly remove the plastic sheet. Press velcro hook and loop until secure.
- d) Reposition seat cushion onto seat frame and secure using velcro hook and loop and snaps.

2) REAR SEAT COVER (Refer to Figures 4 and 5)

BOTTOM COVER

- a) Open flap on back of bottom cushion and insert OEM foam.
- b) Align velcro hook on OEM foam with velcro loop inside cushion cover and secure.
- c) Close cover opening and secure using velcro hook and loop.
- d) Reposition rear bottom seat cushion onto rear seat frame and secure using velcro hook and loop.

BACK COVER

- a) Open out seat cover on a flat surface.
- b) Align velcro hook on OEM foam with velcro loop inside cushion cover and secure.
- c) Close cover opening and secure using velcro hook and loop.
- d) Reposition rear seat back cushion into aircraft. Feed OEM cushion security straps through both strap holders located on the back of the back cushion to secure the back cushion to the cabin wall. Align velcro loop on cushion cover with velcro hook on cabin back wall and seat frame.
- e) Ensure the velcro loop from the back cushion cover is secured to velcro hook on the bottom cushion cover where both cushions meet.

3) DOUBLE REAR SEAT CUSHION (Refer to Figure 7)

- a) Reposition rear bottom seat cushion onto seat frames and secure using velcro hook and loop.
- b) Reposition rear seat bottom cushion into aircraft. Feed OEM cushion security straps through strap holders located on the back of the back cushion to secure the back cushion to the cabin wall. Align velcro loop on cushion cover with velcro hook on cabin back wall and seat frame.
- c) Ensure the velcro loop from the back cushion cover is secured to velcro hook on the bottom cushion cover where both cushions meet.



9. WEIGHT AND BALANCE DATA

Refer to chart below if replacing all standard seat covers with bush seat covers.

A. Removed Items - OEM Seat Covers

DESCRIPTION	WEIGHT		ARM		MOMENT	
	kg	lbs	m	in	kg m	lb in
Standard Forward Seat Covers (2 seats)	-1.40	-3.1	1.57	61.8	-2.20	-191.6
Standard Rear Seat Covers (4 seats)	-4.20	-9.3	2.50	98.4	14.90	-915.1
Total	-5.60	-12.4	2.27	89.3	12.70	-1106.7

B. Added Items - Bush Seat Covers

DESCRIPTION	WEIGHT		ARM		MOMENT	
	kg	lbs	m	in	kg m	lb in
Forward Seat Covers (2 seats)	2.64	5.8	1.57	61.8	4.14	358.4
Rear Seat Back and Bottom Covers (4 seats)	5.96	13.1	2.50	98.4	14.90	1289.0
Total	8.60	18.9	2.21	87.9	19.04	1647.5

Transport Canada - Accepted



9. WEIGHT AND BALANCE DATA (continued)

Refer to chart below if replacing fwd standard seat covers with bush seat covers and rear seat cushions with double rear seat cushions.

A. Removed Items - OEM Seat Covers from FWD seats and all rear cushions and covers

DESCRIPTION	WEIGHT		ARM		MOMENT	
	kg	lbs	m	in	kg m	lb in
Standard Forward Seat Covers (2 seats)	-1.40	-3.1	1.57	61.8	-2.20	-191.6
Standard Rear Seat Cushions (4 seats)	-12.64	-27.9	2.50	98.4	-31.60	-2745.4
Total	-14.04	-31.0	2.41	94.7	-33.80	-2936.9

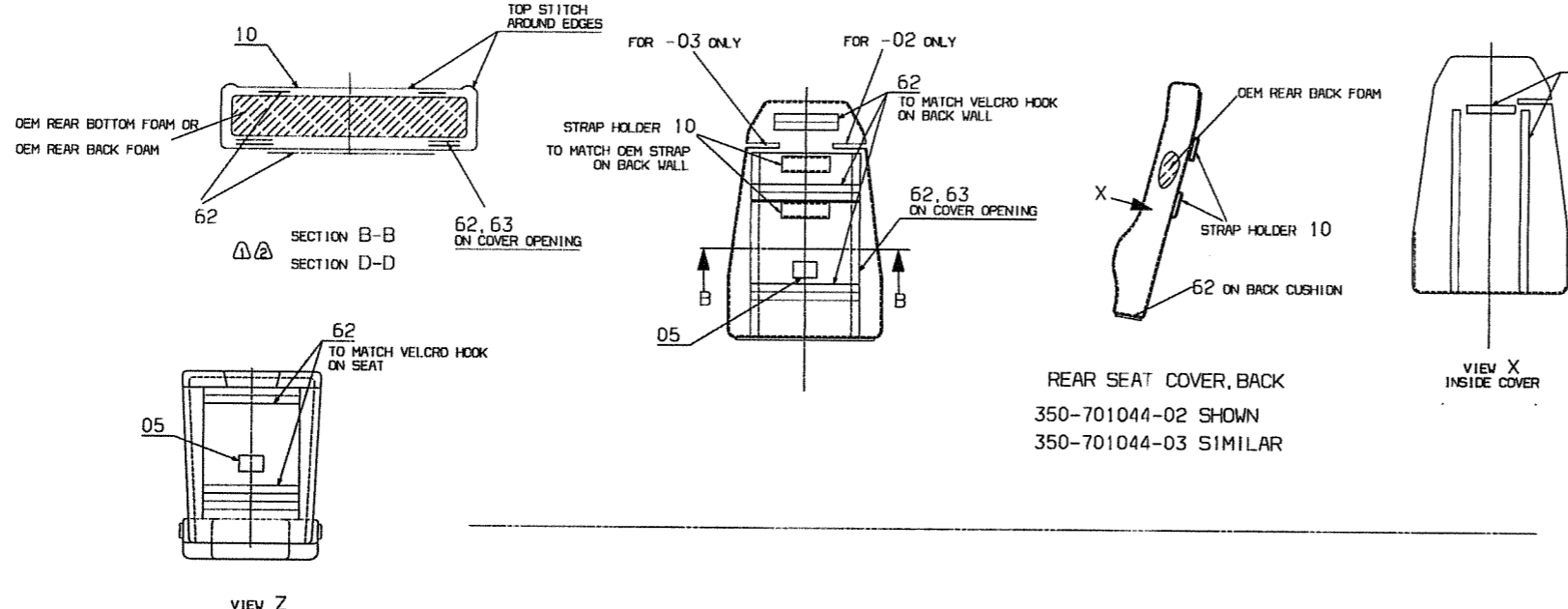
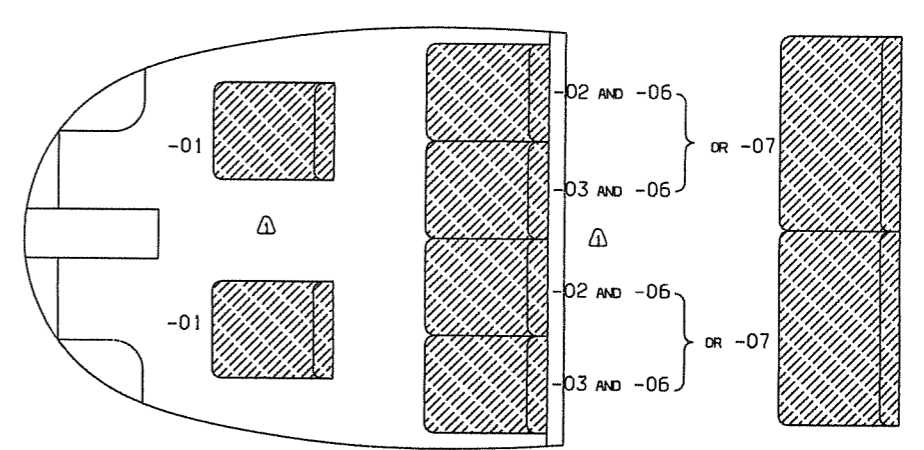
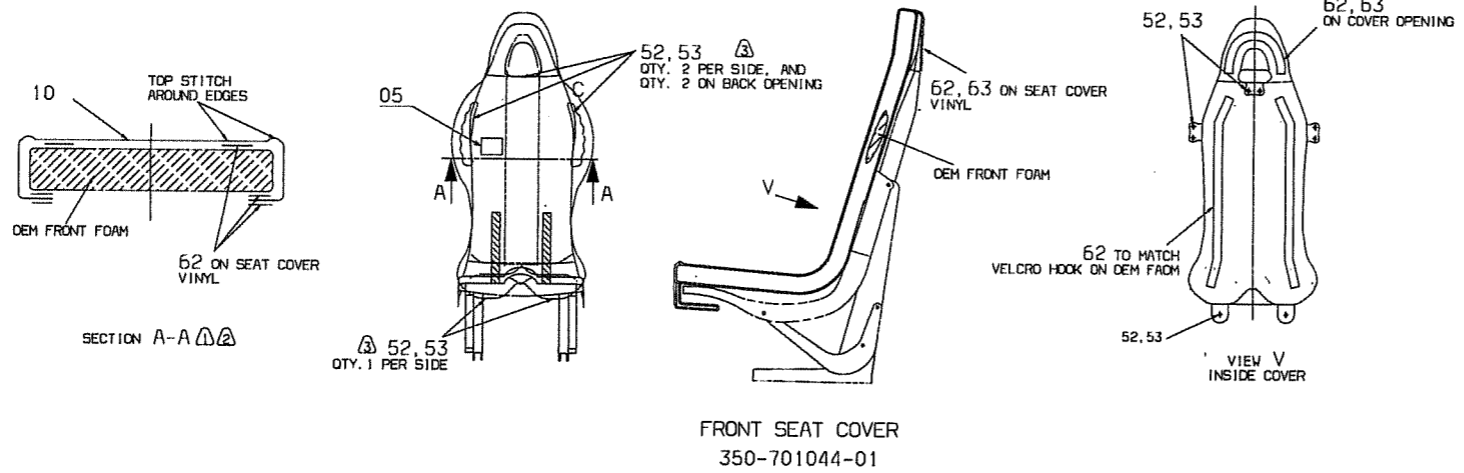
B. Added Items - Bush Seat Covers on FWD cushions and Double Rear Seat Cushions in rear

DESCRIPTION	WEIGHT		ARM		MOMENT	
	kg	lbs	m	in	kg m	lb in
Forward Seat Covers (2 seats)	2.64	5.8	1.57	61.8	4.14	358.4
Double Rear Seat Cushions (2 double sets)	12.64	27.9	2.50	98.4	31.60	2745.4
Total	15.28	33.7	2.34	92.1	35.74	3103.8

10. PLACARDS AND MARKINGS

There are no placards and markings with this installation.

Transport Canada - Accepted



4. SEAT COVER OR COMBINATION IS TO BE ASSIGNED AND MARKED WITH PART NUMBER AND COLOR CODES AS:
- | | | | |
|---------------|---|----|----|
| 350-701044-01 | - | XX | OR |
| 350-701044-02 | - | XX | OR |
| 350-701044-03 | - | XX | OR |
| 350-701044-06 | - | XX | OR |
| 350-701044-07 | - | XX | |
- PART NUMBER COLOR CODE

PART NUMBER	PATTERN/TYPE	COLOR	COLOR CODE
T01	VINYL	BLACK	01

⚠ USE ITEMS 52 AND 53 TO SECURE SEAT COVERS WHERE SHOWN.

⚠ SEAT COVER CONTOURS AND ACCESSORIES TO MATCH EXISTING OEM CUSHIONS. PARTS ARE SEWN BY STITCHING AT 5-10 THREADS PER INCH TYPICAL USING ITEM 71

⚠ CONFIGURATION, QTY., MATERIALS, AND COLOUR SELECTIONS SPECIFIED ON APPLICABLE WORK ORDER.

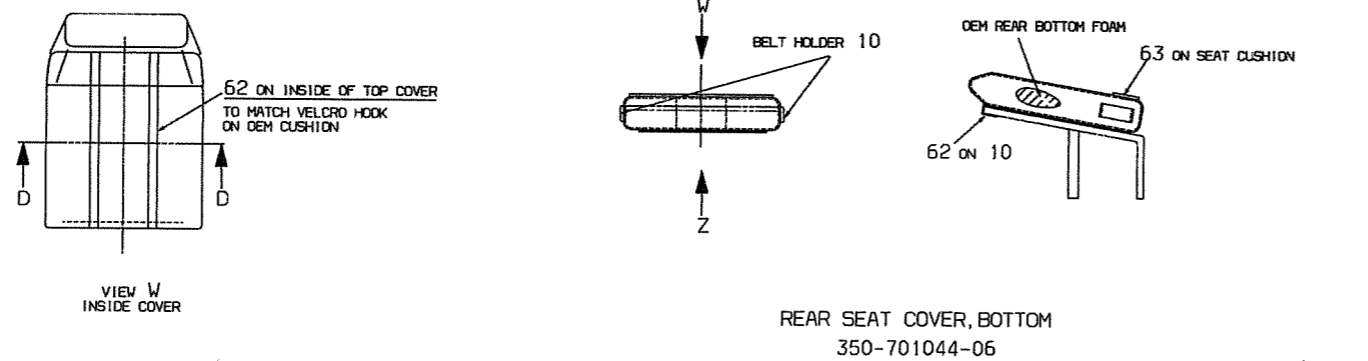
350-701044-01 FOR DEM ENERGY ABSORBING FRONT COVER F0428848 ONLY OR ENERGY ABSORBING FOAM 159700-1 (F209731), REMOVE OEM COVER IF APPLICABLE.

350-701044-02 FOR DEM REAR SEAT CUSHIONS, BACK, 350A771412, 11 ONLY

350-701044-03 FOR DEM REAR SEAT CUSHIONS, BACK, 350A771412, 12 ONLY

350-701044-06 FOR DEM REAR SEAT CUSHIONS, BOTTOM, 350A771412, 10 ONLY

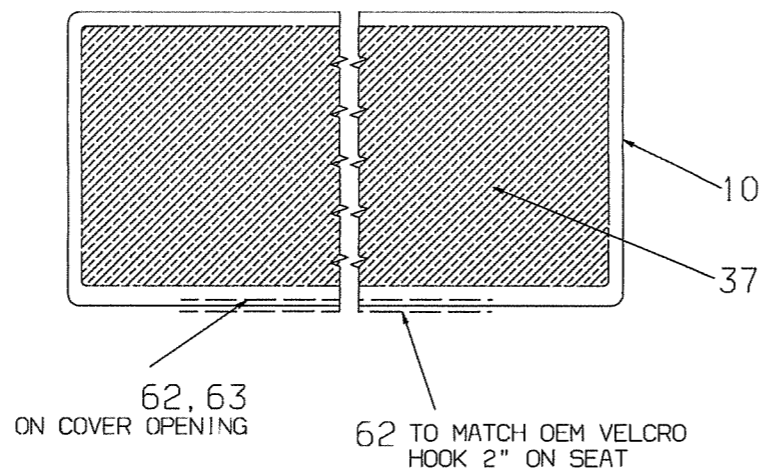
350-701044-07 FOR DOUBLE REAR SEAT CUSHIONS, ONLY



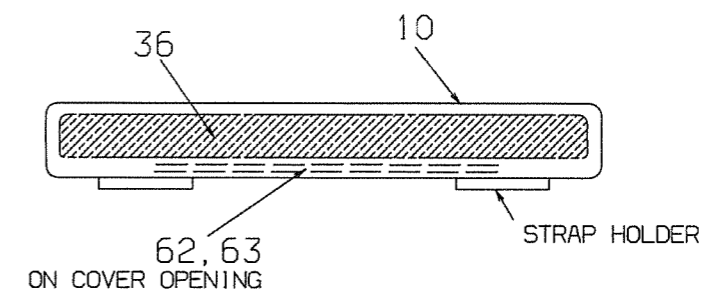
QTY	REV	PART NUMBER	DESCRIPTION	IDENT.	MATERIAL	H. T.	SPECIFICATION	SIZE	SUPPL.
1	1	05	IDENT LABEL						L0673
			350-701044-07	REAR SEAT CUSHION DOUBLE					L0673
			350-701044-06	REAR SEAT COVER					L0673
			350-701044-03	REAR SEAT COVER					L0673
			350-701044-02	REAR SEAT COVER					L0673
			350-701044-01	FRONT SEAT COVER					L0673
			350-701044	BUSH SEAT CUSHION, STD. INTERIOR MOD					L0673

REV	DESCRIPTION	DATE	BY	CHECKED	DATE
1	BUSH SEAT CUSHION STD INTERIOR MOD	18 JUL 16			
2		18 JUL 16			
3		18 JUL 16			

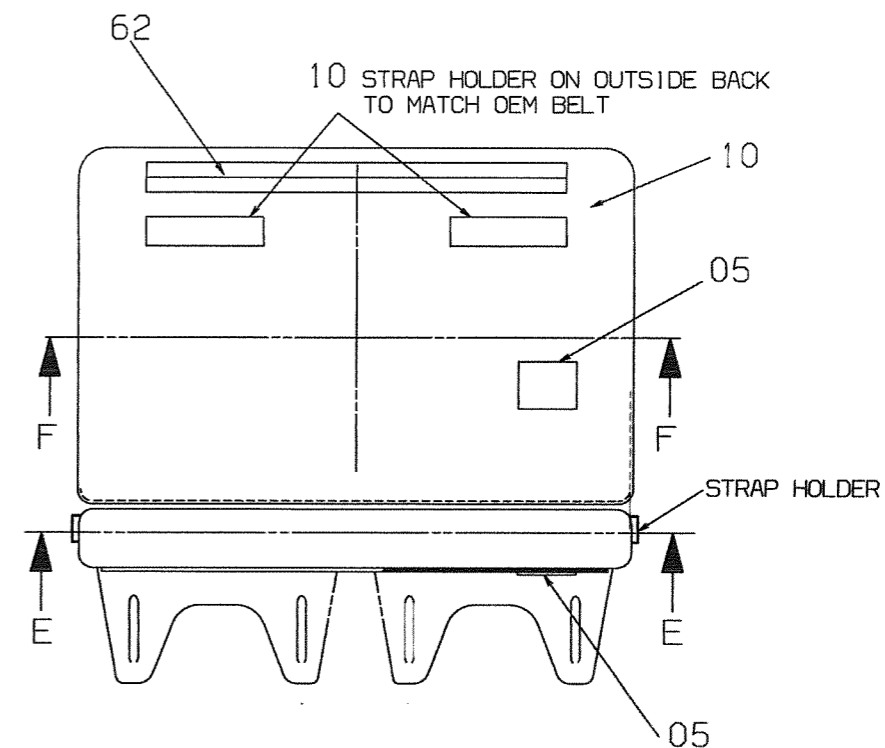
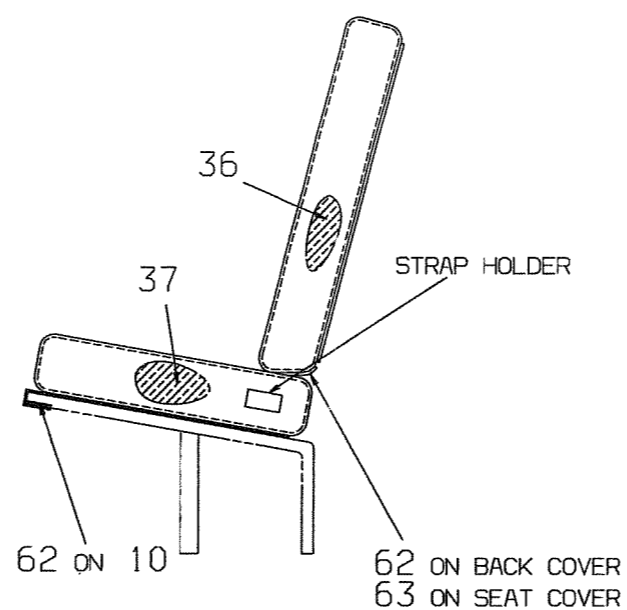
350-701044



SECTION E-E
TYP PASSENGER BOTTOM CUSHIONS



SECTION F-F
TYP PASSENGER BACK CUSHIONS



QTY	ITEM NO.	PART NUMBER	REV	DESCRIPTION	IDENT.	MATERIAL	H. T.	SPECIFICATION	SIZE	SUPPL.
		350-701044		BUSH SEAT CUSHION, STD INTERIOR						L0673
DRAWING COMPLETE				SURFACE PROTECTION	SURFACE FINISH	SCALE	12	DATE	NAME	TITLE
VERIFIED FOLLOWING LIST'S				---	---	NTS	04	JUN	YPZ	INTERIOR MODIFICATIONS
				TOL. LIN. ANGLE			04	JUL	PS	BUSH CUSHIONS
				%. X. X. X. XX. ±			04	JUL	CH	
AS350		STANDARD LIMITS	TOLERANCE IN MM	FIRST ANGLE PROJECTION	 THIS IS A CATIA DRAWING NO DIMENSIONS IN MM ALL DIMENSIONS IN MM UNLESS OTHERWISE NOTED		A /04	28 AUG 12	YPZ	DRAWING NUMBER
NEXT ASSEMBLY							REV. D.C.H.	REL. DATE	NAME	350-701044
							REL'D	28 AUG	FILM	REPL. FOR
										REPL. BY
										SAFETY CLASS
										3
										SHEET
										2
										OF 2

TEXTURE

Leather Look with Performance

PREMIER

PREMIER has been developed to meet the demands of today's commercial and residential environments. PREMIER is designed for all covering requirements and is available in a wide variety of colors and textures for upholstery products.

PREMIER is ideally suited for commercial and contract secondary applications, as well as residential.

- office
- lounge
- hospitals
- nursing homes
- family rooms
- restaurants
- hotels
- schools
- daycares
- medical offices

PREMIER is formulated to meet the flammability requirements contained in the following specifications:

- Federal Specification AA-2950A (Supersede CCCA680a)
- NFPA 701, Small Scale Test
- NFPA 260 A, Class 1
- Boston Fire Code (BFD IX-1)
- Designed to pass FAA 25.853
- Contact our Sales Representative for details
- Post Authority of NY & NJ
- California Fire Regulation (Bulletin 117-Section E)
- Motor Vehicle Safety Standard No. 302
- UFAC Class 1
- BIFMA

*NOTE: Terms and corresponding data refer to performance in the specific test indicated and should not be construed to imply the behavior of this or any other material under actual fire conditions.

TECHNICAL DATA

- Width: 54 inches
- Weight: 40 ounces per linear yard
- Roll Length: 30 yards
- Sulfide stain resistant
- Oil resistant
- -20 degree F. cold crack
- Abrasion Resistance - 100,000 double rubs, Wyzenbeek ASTM 04157
- Anti static slip finish
- Ultraviolet resistant
- Mildew and bacteria resistant (ASTM G21-70 & G22-76)
- Heat sealable
- Excellent cleanability
- Excellent seam strength

ADDITIONAL INFORMATION AND CLEANING INSTRUCTIONS:

PREMIER is specially formulated to resist the following bacteria, and many others, when tested using the AATC method 147-1986: *Aspergillus Niger*; *Penicillium Pinophilum*; *Chaetomium Globosum*; *Aureobasidium Pullulans*; *Trichoderma sp.*; *Pseudomonas Aeruginosa*; *Staphylococcus Aureus*; and *Klebsiella Pneumoniae*.

Cleaning Instructions: Ordinary dirt and stains can be removed with mild soap and water. Rinse the cleaned area with clear water and dry with a soft, lint free cloth. As with all stains, prompt cleaning is recommended. PREMIER will resist, without serious discoloration, the repeated action of normal dilutions of chlorine bleaches or ammonia based cleaners used for sterilization and cleaning in medical environments.

ORDERS

- When placing orders please indicate:
- 1) Grade - Premium Grade Expanded
 - 2) Pattern Name - Premier
 - 3) Pattern Number - BA 686
 - 4) Color Name and Number



